

PORTER

The Trusted Name In Nitrous

Dental Products Catalog

Effective February 1, 2025



Phone: 888-723-4001

Web: www.porterinstrument.com/dental



PORTER INSTRUMENT

Featuring

Porter and Matrix Brands



Repair and Trade In Programs

All current model flowmeters under 20 years of age and E-stands under 15 years of age can be repaired.
Contact Porter Customer Service or your Dental Dealer for information.

Repair Qualifying Serial Number Ranges:

Porter Model Flowmeters

- 1000 No repairs
- 1100 Serial Numbers **1100** and higher
- 2000 **No repairs**
- 2000-OS No repairs
- 2050/2055 No repairs
- 2065 No repairs
- 2065W All Serial Numbers **3899** and higher
- 3000 All Serial Numbers **9700** and higher
- 3000-OS Serial Numbers **1007** and higher
- 3065W All Serial Numbers
- 4065 All Serial Numbers
- 6465 All Serial Numbers

Matrix Model Flowmeters

- MDM Model **94500150** – **37330** and higher
Model **94500011** – **37015** and higher
- RA No repairs
- DMDM Black Faceplate – No repairs
- DMDM White Faceplate – **1000** and higher

Manifold Systems

- MXV No repairs – call for trade in
- Matrix No repairs – call for trade in
- Vanguard Call
- Sentinel Call

E-Stand Mobile Carts

- 2045E No repairs
- 2045-1 No repairs
- 2045-2 No repairs
- 2045-3 Serial Numbers **2043-1000** and higher
- 2045-3CA Serial Numbers **204C-1000** and higher
- 2045-3ISO Serial Numbers **201S-1000** and higher

Trade In Program

- Any brand flowmeter (Porter, Matrix, Accutron, Belmed, A-dec, Veriflo, McKesson, etc) qualify
- Any condition
- \$600 Retail credit towards purchase of any Porter or Matrix flowmeter. Cannot combine with any other offer.
- Contact Porter for more information

All returns must be assigned an ATR number by Porter customer service.

Contact Porter: 215-723-4000 or porternitrous@parker.com

Table Of Contents

FLUSH MOUNT FLOWMETERS	4-14	OUTLETS AND HOSES	38-41
Porter Midas	6-7	Porter Quick Connect Outlet Stations	38
Porter MXR-D	8-9	Matrx Quick Connect and DISS Style Outlets	39
Porter MXR-1	10-11	Hoses and Quick Connects	40
Porter Digital MDM	12-13	Vacuum Hoses and Vacuum Quick Connects	41
Porter Chair Mount Options	14		
UPRIGHT FLOWMETERS	15-26	BREATHING CIRCUITS AND NASAL HOODS*	42-50
Porter Midas	16-17	Silhouette Low Profile Nasal Mask	42-43
Porter MXR	18-19	Porter Breathing Circuits and Vacuum Control	44
Porter Sentry Sedate	20-21	Porter Nasal Hoods	45
Matrx MDM	22	Porter Breathing Circuit Accessories And Parts	46-47
Porter Standard	23	Matrx Breathing Circuits, Nasal Hoods, and Vac Control	48
Upright Flowmeter Mount Options	24	Matrx Scavenger Parts	49
Mobile Cart Options	25	Matrx DynoMite Single-Use Nasal Hoods	50
Porter MXR Mounting Examples	26		
ORAL SURGERY SYSTEMS / OXYGEN THERAPY	27-33	MISCELLANEOUS PARTS	51-61
Porter Midas Oral Surgery Flowmeter	27	MXR, Standard Flowmeter and AVS Parts	51
Porter Oral Surgery Flowmeter and Accessories	28	E-Stand and Mobile Cart Parts	52
Porter Oral Surgery Accessories	29	Flush Mount Flowmeter Accessories	53
Matrx Oral Surgery Packages and Accessories	30	Vanguard Manifold and Zone Valve Parts	54
Surgical Suction and Recovery Room	31	Sentinel Manifold and Zone Valve Parts	55
Oxygen Therapy and Emergency Oxygen	32	Outlet Station Replacement Parts	56
Tank Room Layout	33	Rough-in Repair Kits	57
MANIFOLD SYSTEMS	34-37	Matrx Non-Rebreathing Valve Replacement & Instr.	58
Vanguard Manifold Systems	34	Porter 2025 Chair Mount Kit	59
Sentinel Manifold Systems	35	Flush Mount Flowmeters Mounted	60
Nitrogen Manifold and Accessories	36	Gas Cost Comparison Chart	61
Manifold and Zone Valve Application Layout	37		

Flush and Surface Mount Flowmeters

Porter Instrument offers the most complete selection of Flush Mount flowmeters in the dental industry, resulting in a perfect flowmeter solution for every office.

Porter Midas™ Digital Touchscreen: *Technology & innovation at your fingertip (pg. 6)*

- Intuitive and easy to use touchscreen technology
- Touch and Slide™ flow and concentration controls
- Procedure Log, Security Pin, Gas Remaining feature – and so much more!



Porter MXR-D: *Unique, hybrid digital and analog technology! (pg. 8)*

- Advanced technology - the only flowmeter to combine both Digital and Analog features
- LED digital display and analog glass flow tubes
- Brightly lit display and real time flow visualization



Porter MXR-1: *Built for precision and reliability! (pg. 10)*

- The gold standard for nitrous oxide delivery systems
- Precision analog glass flow tubes
- Built for reliability and durability



Porter Digital MDM: *The smallest flowmeter faceplate in the industry! (pg. 12)*

- The perfect solution when space is limited
- Remote digital faceplate control panel for easy installation
- Multiple mounting options



Flush and Surface Mount Flowmeters

Why choose “Flush-Mount” flowmeters vs. “E-Cylinder Portable”?

- Ergonomics
- Ease of use
- Readiness for use
- Aesthetics
- Free up floor space
- Cost of use
(save >\$6 per patient on gas cost alone)
- See page 61 for cost savings example

How to get started:

- Select a flush mount flowmeter package
- Select a Bag Tee mounting option (if necessary)
- Select a Manifold (and Zone Valve if required)
- For early construction order Pre-Install Kits for ALL operatories - including future operatories

See additional flush mount installations on page 60.



Porter Midas™ Cabinet Mount Flowmeter

Package Options:

A

7465C-AV Package

- Porter Midas Flowmeter
- eAVS-5000
- Porter Breathing Circuit
- 5' O₂ and N₂O DISS-to-DISS Hoses
- Pre-Install Kit

B

7465C Package

- Porter Midas Flowmeter
- In-Line Vacuum Control
- Porter Breathing Circuit
- 5' O₂ and N₂O DISS-to-DISS Hoses
- Pre-Install Kit

Add “-S” to the end of a part number to receive the package with Silhouette in lieu of the 5155 breathing circuit.

Example: 7465C-AV-S



- Intuitive touchscreen technology
- Touch and Slide™ controls
- Compact size
- Simple installation
- Procedure data log
- eAVS scavenging technology
- Security pin feature
- Gas used / remaining feature

Touchscreen Dimensions: 9.2” W x 5.3” H x 1.5” D
 Control Module Dimensions: 6.8” W x 3.86” H x 7.35” D
 Weight (not including eAVS or Bag Tee): 4.95 lbs

7000C Porter Midas Flowmeter and Power Supply \$5,974

A 7465C-AV Porter Midas Flowmeter w/ eAVS Package \$8,000

Porter Midas Flowmeter w/ eAVS Vacuum Control, 5155-3 Breathing Circuit, 8005 O₂ and 8505 N₂O DISS to DISS 5ft hoses, and B-2460-KIT Pre-Install Kit

- 7465C-AV-P Includes 5155-4 Pedo Breathing Circuit\$8,000

7465C-AV-LPI\$7,660

Porter Midas Flowmeter w/ eAVS Vacuum Control, 5155-3 Breathing Circuit, 8005 O₂ and 8505 N₂O DISS to DISS 5ft hoses, Less Pre-Install Kit

- 7465C-AV-P-LPI Includes 5155-4 Pedo Breathing Circuit\$7,660

B 7465C Porter Midas Flowmeter w/ In-Line Vacuum Control Package \$7,000

Porter Midas Flowmeter w/ eAVS Vacuum Control, 5155-1 Breathing Circuit, 8005 O₂ and 8505 N₂O DISS to DISS 5ft hoses, and B-2460-KIT Pre-Install Kit

- 7465C-P Includes 5155-2 Pedo Breathing Circuit.....\$7,000

7465C-LPI\$6,660

Porter Midas Flowmeter w/ In-Line Vacuum Control, 5155-1 Breathing Circuit, 8005 O₂ and 8505 N₂O DISS to DISS 5ft hoses, Less Pre-Install Kit

- 7465C-P-LPI Includes 5155-2 Pedo Breathing Circuit.....\$6,660

C B-2460-KIT \$350

PRE-INSTALL KIT

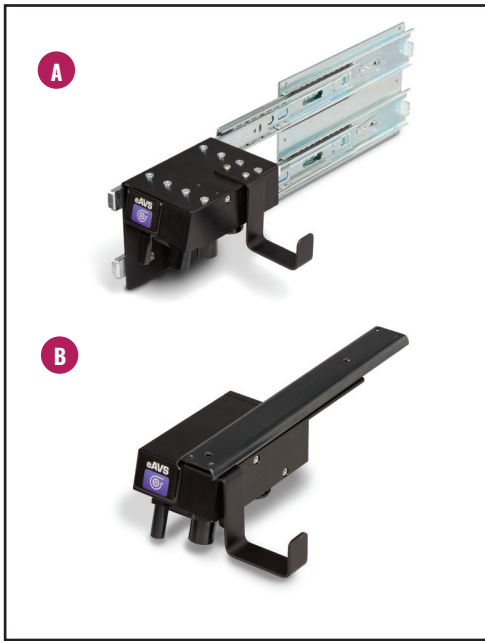
Includes oxygen and nitrous oxide DISS-piped outlet connections with check valves.

**If ordering in advance of flowmeter packages add LPI (Less Pre-Install) to future flowmeter package order – example: 4465C-LPI.*

Order Pre-Install Kits to outfit future nitrous operatories.

SEE NEXT PAGE TO SELECT BAG TEE MOUNTING OPTION (NOT INCLUDED IN ABOVE PACKAGES)

Porter Midas™ Cabinet Mount Flowmeter (Continued)

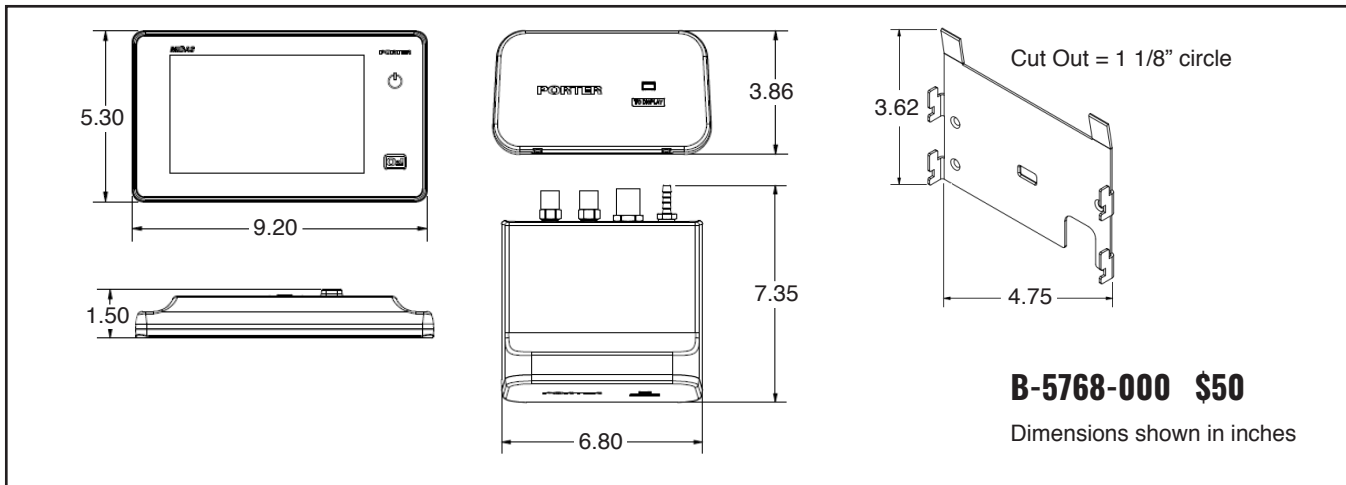


All products listed below are not part of any flowmeter “package” and must be ordered separately.

A 2036-M **\$587**
PORTER MIDAS LEFT OR RIGHT SLIDE MOUNT

B 2037-M **\$587**
PORTER MIDAS UNDER COUNTER SLIDE MOUNT

Chair Mount Kits – see page 14.



Porter MXR-D Flush Mount Flowmeter

Package Options:

A

4465C-AV Package

- MXR-D Flowmeter
- AVS-5000
- Porter Breathing Circuit
- A-1679 Bag Tee Mount
- 8' O₂ and N₂O DISS-to-DISS Hoses
- Pre-Install Kit

B

4465C Package

- MXR-D Flowmeter
- In-Line Vacuum Control
- Porter Breathing Circuit
- A-1679 Bag Tee Mount
- 8' O₂ and N₂O DISS-to-DISS Hoses
- Pre-Install Kit



Our most advanced digital flowmeter offers:

- The best of both worlds: Analog/Digital combination flowmeter
- Real time flow confirmation with glass flow tubes plus a brightly lit LED screen
- Audible and visual alarms
- Oxygen quick connect conveniently located on the faceplate

Dimensions: 12 19/32" x 4 1/4" x 4 5/16"

Cut-Out Dimensions: 11" x 3 5/8"

Weight: 8 lbs.

4065D **\$5,429**

PORTER MXR-D FLOWMETER ONLY (power supply not included)

MXR-D POWER SUPPLY

A-4243-000 Cabinet Mount **\$421**
A-4244-000 Wall Mount **\$1,211**



For Wall Mount installation:
B-4988 Wall Bezel.....**\$174**

A-4244-000 Wall Mount
 Power Supply – Must Be
Substituted

Please contact Porter for wall installation requirements.

Add "-S" to the end of a part number to receive the package with Silhouette in lieu of the 5155 breathing circuit. Example: 4465C-AV-S

A 4465C-AV **\$8,124**

PORTER MXR-D WITH AUTOMATIC VACUUM SWITCH PACKAGE

Flowmeter Package includes MXR-D flowmeter, AVS-5000 Vacuum Control, 5155-3AV Breathing circuit, Pre-Install Kit, Bag Tee mount, 8' O₂ and N₂O DISS-to-DISS hoses, and power supply for cabinet installations

4465C-AV-LPI**\$7,771**

B 4465C **\$7,610**

PORTER MXR-D WITH IN-LINE VACUUM CONTROL PACKAGE

Package includes: MXR-D flowmeter, 5155-1 Breathing Circuit, Pre-Install Kit, Bag Tee mount, 8' O₂ and N₂O DISS-to-DISS hoses, and power supply for cabinet installations

4465C-LPI**\$7,256**

C B-2460-KIT **\$350**

PRE-INSTALL KIT

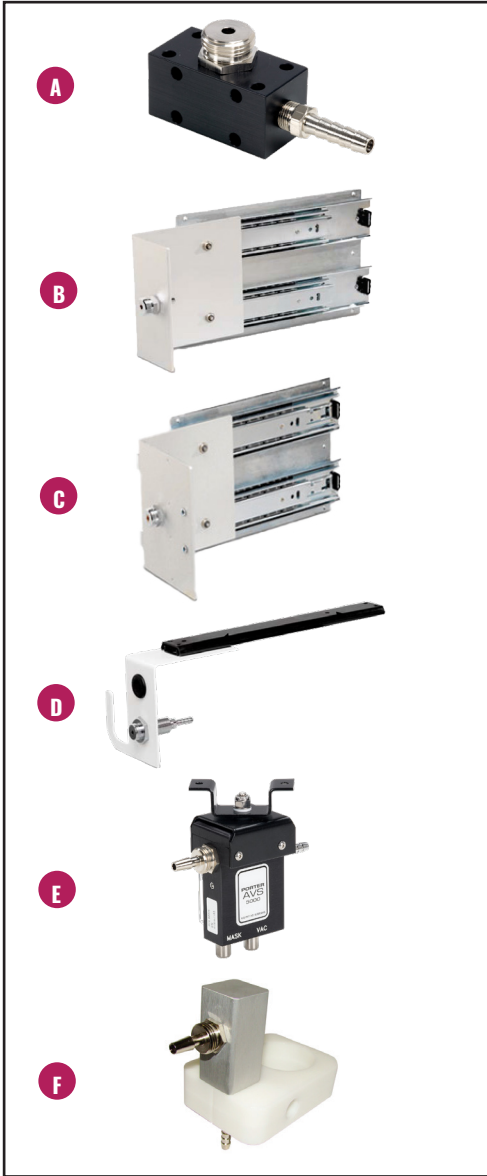
Includes oxygen and nitrous oxide DISS-piped outlet connections with check valves.

**If ordering in advance of flowmeter packages add LPI (Less Pre-Install) to future flowmeter package order – example: 4465C-LPI.*

Order Pre-Install Kits to outfit future nitrous operatories.

SEE NEXT PAGE TO SELECT BAG TEE MOUNTING OPTION (NOT INCLUDED IN ABOVE PACKAGES)

Porter MXR-D Flowmeter Bag Tee Mounts



With the exception of A-1679 (Bag Tee Mount) – all products listed below are not part of any flowmeter “package” and must be ordered separately.

A A-1679 **\$221**
BAG TEE MOUNT
 (Included with all packages)

B 2036-4 **\$587**
LEFT OR RIGHT SIDE SLIDE MOUNT
 3-1/2” wide for narrow installs

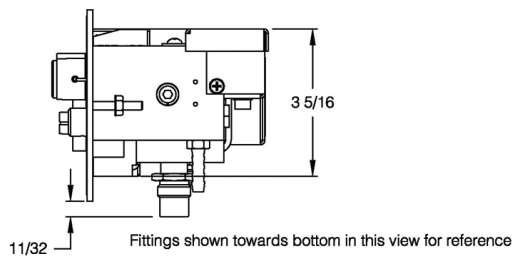
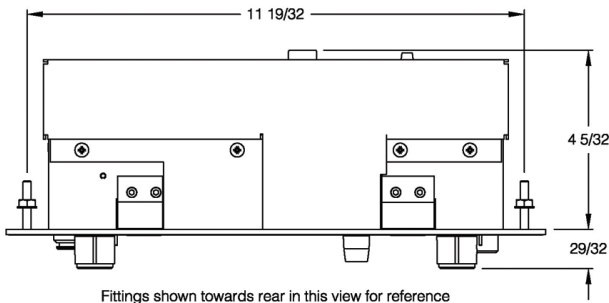
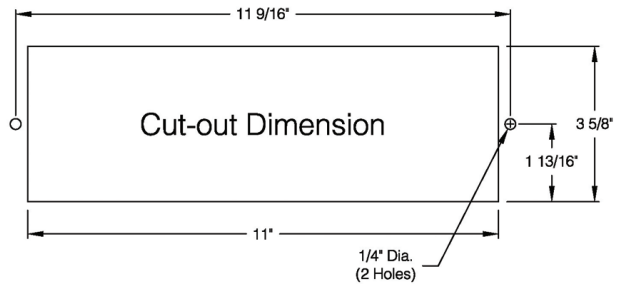
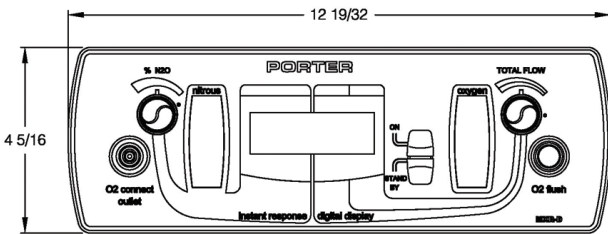
C 2036-2 **\$587**
LEFT OR RIGHT SIDE SLIDE MOUNT
 5” wide with rubber goods hook mounting option

D 2037-1 **\$590**
UNDER COUNTER SLIDE MOUNT

E AVS-5000S **\$781**
AVS UNDER COUNTER/CHAIR SWIVEL MOUNT

F 5335 **\$666**
CHAIR/LIGHT POST MOUNT (Bag Tee or AVS)

Chair Mount Kits – see page 14.



Porter MXR-1 Flush Mount Flowmeter

Package Options:

A

3465C-AV Package

- MXR-1 Flowmeter
- AVS-5000
- Porter Breathing Circuit
- A-1679 Bag Tee Mount
- 8' O₂ and N₂O DISS-to-DISS Hoses
- Pre-Install Kit

B

3465C Package

- MXR-1 Flowmeter
- In-Line Vacuum Control
- Porter Breathing Circuit
- A-1679 Bag Tee Mount
- 8' O₂ and N₂O DISS-to-DISS Hoses
- Pre-Install Kit



For Wall Mount installation:
B-4988 Wall Bezel.....\$174

Add “-S” to the end of a part number to receive the package with Silhouette in lieu of the 5155 breathing circuit.
 Example: 3465C-AV-S



Our most popular analog flush mount flowmeter offers:

- The “gold standard” in nitrous oxide delivery
- Precision glass flow tubes for real time visualization & confirmation of gas flow
- Built for reliability and durability
- Oxygen quick connect conveniently located on flowmeter faceplate

Dimensions: 12 19/32” x 4 1/4” x 4 5/16”

Cut-Out Dimensions: 11” x 3 5/8”

Weight: 6.5 lbs.

3065W

\$4,607

PORTER MXR-1 FLOWMETER ONLY

A 3465C-AV\$6,859

PORTER MXR-1 WITH AUTOMATIC VACUUM SWITCH PACKAGE

Flowmeter package includes: MXR-1 flowmeter, AVS-5000 Vacuum Control, 5155-3AV Breathing circuit, Pre-Install Kit, Bag Tee mount, 8' O₂ and N₂O DISS-to-DISS hoses

3465C-AV-LPI\$6,509

B 3465C\$6,350

PORTER MXR-1 WITH IN-LINE VACUUM CONTROL PACKAGE

Package includes: MXR-1 flowmeter, 5155-1 Breathing circuit, Pre-Install Kit, Bag Tee mount, 8' O₂ and N₂O DISS-to-DISS hoses

3465C-LPI\$6,000

C B-2460-KIT\$350

PRE-INSTALL KIT

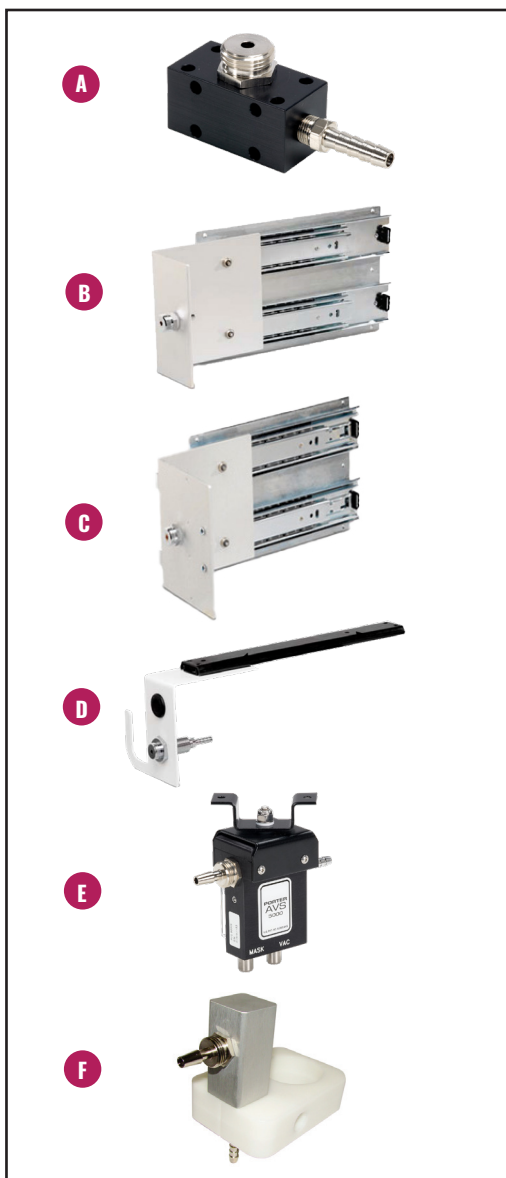
Includes oxygen and nitrous oxide DISS-piped outlet connections with check valves.

**If ordering in advance of flowmeter packages add LPI (Less Pre-Install) to future flowmeter package order – example: 4465C-LPI.*

Order Pre-Install Kits to outfit future nitrous operatories.

SEE NEXT PAGE TO SELECT BAG TEE MOUNTING OPTION (NOT INCLUDED IN ABOVE PACKAGES)

Porter MXR-1 Flowmeter Bag Tee Mounts



With exception of A-1679 (Bag Tee Mount) – all products listed below are not part of any flowmeter “package” and must be ordered separately.

A A-1679 BAG TEE MOUNT **\$221**
(Included with all packages)

B 2036-4 LEFT OR RIGHT SIDE SLIDE MOUNT **\$587**
3-1/2” wide for narrow installs

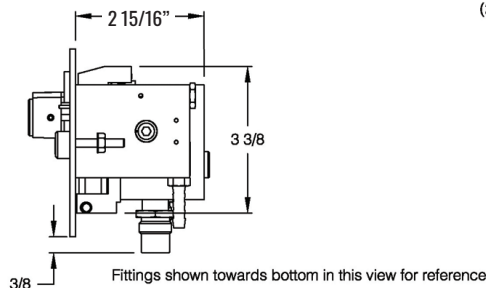
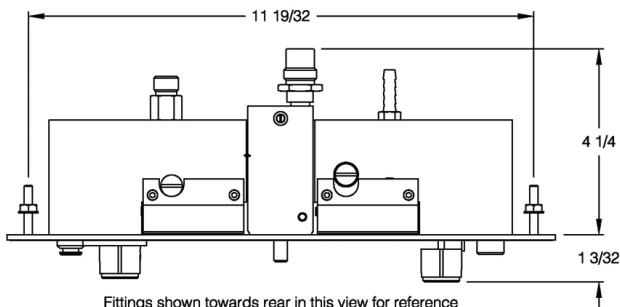
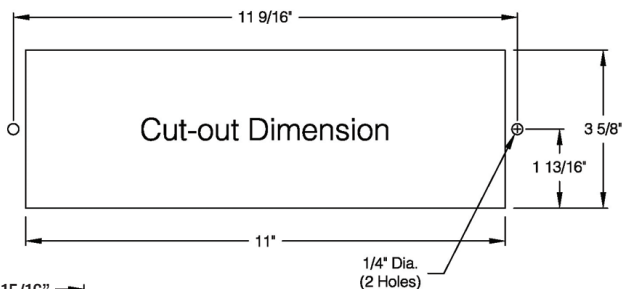
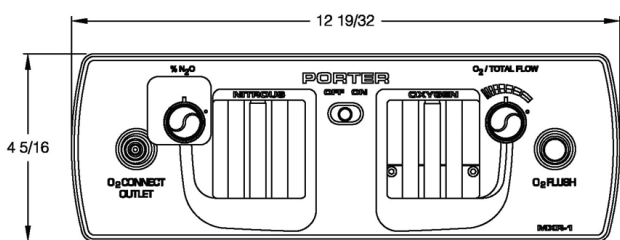
C 2036-2 LEFT OR RIGHT SIDE SLIDE MOUNT **\$587**
5” wide with rubber goods hook mounting option

D 2037-1 UNDER COUNTER SLIDE MOUNT **\$590**

E AVS-5000S **\$781**
AVS UNDER COUNTER / CHAIR SWIVEL MOUNT

F 5335 **\$666**
CHAIR/LIGHT POST MOUNT (Bag Tee or AVS)

Chair Mount Kits – see page 14.



Porter Digital MDM Flush Mount Flowmeter

Package Options:

A

6465C-AV Package

- Digital MDM Flowmeter
- AVS-5000
- Porter Breathing Circuit
- A-1679 Bag Tee Mount
- 5' O₂ and N₂O DISS-to-DISS Hoses
- Pre-Install Kit

B

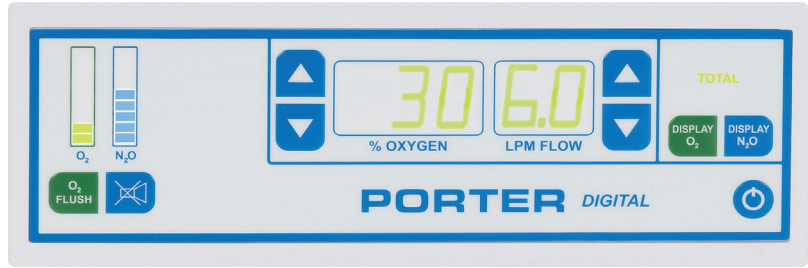
6465C Package

- Digital MDM Flowmeter
- In-Line Vacuum Control
- Porter Breathing Circuit
- A-1679 Bag Tee Mount
- 5' O₂ and N₂O DISS-to-DISS Hoses
- Pre-Install Kit

Order Pre-Install Kits to outfit future nitrous operatories.

SEE NEXT PAGE TO SELECT BAG TEE MOUNTING OPTION (NOT INCLUDED IN ABOVE PACKAGES)

Add "-S" to the end of a part number to receive the package with Silhouette in lieu of the 5155 breathing circuit.
Example: 6465C-AV-S



The smallest flush mount flowmeter in the industry!

- Measures only 8" by 3"!
- Simple to install with multiple options including Mounting Kit for Flush, Surface, Wall, or Under Counter/Hutch
- Brightly lit digital display and digital flowtubes
- Audible alarms

Faceplate Dimensions: 7 7/8" x 2 3/4" x 1 1/4"

Control Module Dimensions: 8" x 3" x 5 5/8"

Cut-Out Dimensions: 8" x 3" or 2" Circle (Surface Mount)

Weight: 4.5 lbs

40152601 PORTER DIGITAL MDM FLOWMETER ONLY \$4,938
(Does not include bag tee or power supply)

20150000 DIGITAL MDM POWER CORD ONLY \$117

A 6465C-AV \$7,158

PORTER DIGITAL MDM

W/ AUTOMATIC VACUUM SWITCH PACKAGE

Package includes: Porter Digital MDM flowmeter, 5155-3AV Breathing Circuit w/ AVS-5000 vacuum control, Pre-Install Kit, Bag Tee mount, 5' O₂ and N₂O DISS-to-DISS hoses, and power supply

6465C-AV-LPI\$6,805

6465C-AV-P\$7,158

6465C-AV-P-LPI.....\$6,805

Same package as "A" – but substitutes Porter Pedo Breathing Circuit

B 6465C \$6,641

PORTER DIGITAL MDM W/ IN-LINE VACUUM CONTROL

Package includes: Porter Digital MDM flowmeter, 5155-1 Breathing Circuit, Bag Tee mount, 5' O₂ and N₂O DISS-to-DISS hoses, and power supply

6465C-LPI\$6,288

6465C-P\$6,641

6465C-P-LPI\$6,288

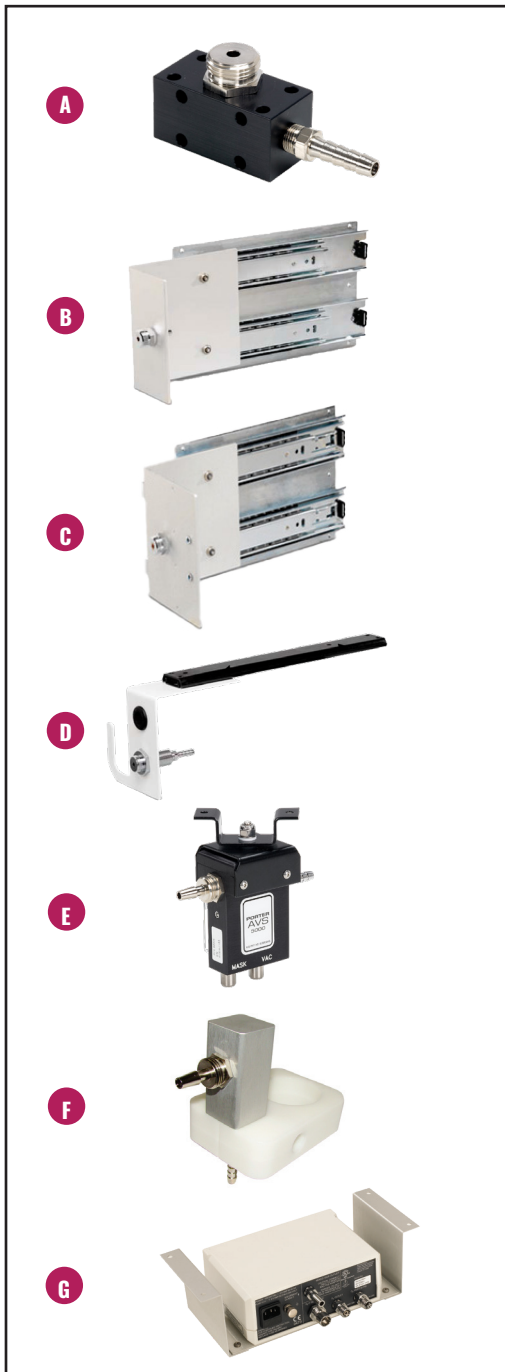
Same package as "B" – but substitutes Porter Pedo Breathing Circuit

C B-2460-KIT PRE-INSTALL KIT \$350

Includes oxygen and nitrous oxide DISS-piped outlet connections with check valves.

**If ordering in advance of flowmeter packages add LPI (Less Pre-Install) to future flowmeter package order – example: 6465C-AV-LPI.*

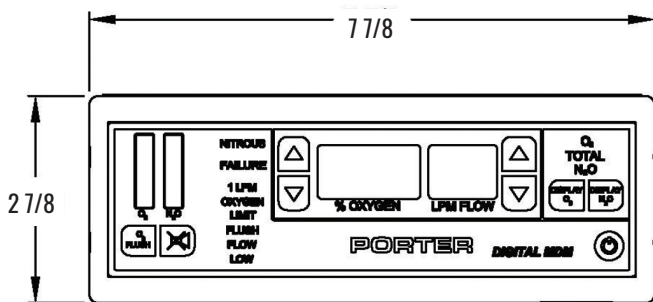
Porter Digital MDM Flowmeter Bag Tee Mounts



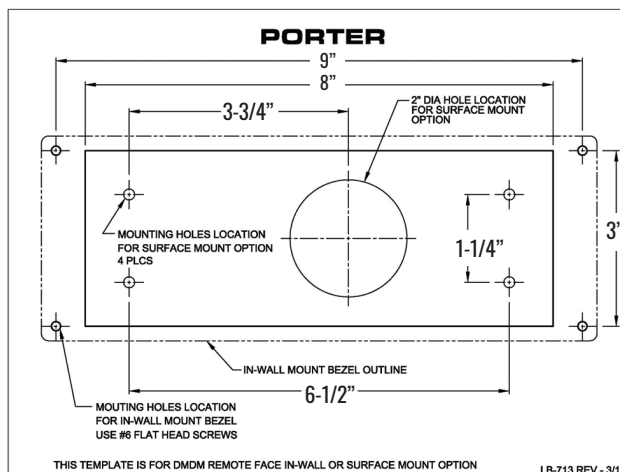
With exception of A-1679 (Bag Tee Mount) – all products listed below are not part of any flowmeter “package” and must be ordered separately.

- A A-1679 BAG TEE MOUNT** **\$221**
(Included with all packages)
- B 2036-4 LEFT OR RIGHT SIDE SLIDE MOUNT** **\$587**
3-1/2” wide for narrow installs
- C 2036-2 LEFT OR RIGHT SIDE SLIDE MOUNT** **\$587**
5” wide with rubber goods hook mounting option
- D 2037-1 UNDER COUNTER SLIDE MOUNT** **\$590**
- E AVS-5000S** **\$781**
AVS UNDER COUNTER / CHAIR SWIVEL MOUNT
- F 5335** **\$666**
CHAIR/LIGHT POST MOUNT (Bag Tee or AVS)
- G B-5555-002 PORTER DIGITAL MDM Z BRACKET** **\$68**
For under counter control module mounting
- H B-5555-000 FACEPLATE MOUNTING KIT** **\$68**
- I B-5555-001 UNDER COUNTER FACEPLATE MOUNTING KIT** **\$68**

Chair Mount Kits – see page 14.



1 1/4” D (without data cable)



Porter Chair Mount Options

MOUNT MIXED GAS AND VACUUM LINE CONNECTIONS TO YOUR CHAIR



Chair Mount Kit Part Numbers		Porter Midas Chair Mount Kits	
CMK-A-300-400	\$995	CMK-A-300-400-M	\$400
Adec 300/400		ADEC 300/400	
CMK-A-500	\$995	CMK-A-500-M	\$400
Adec 511 Series		ADEC 500	
CMK-D-5000	\$995	CMK-D-5000-M	\$400
DCI Series 4 and 5		DCI 5000	
CMK-Royal-A	\$995	CMK-F-3800-M	\$400
Royal Alliant		FOREST 3800	
CMK-Royal	\$995	CMK-F-3900-M	\$400
Royal Signet, R16, PD2, GP2 and RS1		FOREST 3900	
CMK-F-3800	\$995	CMK-F-6400-M	\$400
Forest 3800		FOREST 6400	
CMK-F-3900	\$995	CMK-ROYAL-M	\$400
Forest 3900		ROYAL 2210, R16, GP2	
CMK-F-6400	\$995	CMK-ROYAL-A-M	\$400
Forest 6400		ROYAL ALLIANT	
*When ordering flush mount package, order without AVS.		*Order Porter Midas flowmeter package WITH eAVS.	

2025 (this is the part number) Chair Mount Kit Basic (Bag Tee in Cab)
See page 59 for more information.

\$399

Upright Flowmeters

It's easy to get started with an upright nitrous oxide system:

- Select Flowmeter package with mounting option
- For “Centrally plumbed” offices:
 - Select Manifold (and Zone Valve, if required) – see pages 34-35
 - Add Outlets and Hoses – see pages 38-40
 - Select additional Nasal Hoods / Silhouette – see pages 42-50



Porter Midas™ Digital Touchscreen Flowmeter:
(page 16)
Intuitive touchscreen technology at your fingertip



Porter MXR Flowmeter (page 18):
The gold standard for nitrous delivery



Sentry Sedate (page 20):
Portable, enclosed 4-cylinder lockable system



Matrx MDM Flowmeter (page 22)
The only analog flowmeter with auto-compensation



Standard Flowmeter (pg 23)



Oral Surgery Flowmeters & Accessories (pg 27)

Porter Midas™ Flowmeter

Package Options:



C

2045-3
Tall E-Stand



D

2020
Telescoping
Wall Arm



E

2040
Compact Mobile
Stand

Add “-S” to the end of a part number to receive the package with Silhouette in lieu of the 5155 breathing circuit.
Example: 7400-AV-S



- Digital touchscreen technology
- Touch and Slide™ for flow and gas percentage control
- Audible notifications
- Procedure data log feature
- Gas used and remaining feature
- iPad remote control through Midas app
- Nitrous pin for added security

Dimensions: 9.2” W x 8.06” H x 8.7” D
 Weight w/o eAVS: 6.15 lbs
 Weight w/ eAVS: 7.75 lbs

A 7000 **\$5,400**
Porter Midas Flowmeter, Bag Tee and Power

B.1 7400-AV **\$6,750**
Porter Midas with eAVS Package

Includes Midas, eAVS Vacuum Control, and 5155-3 Breathing Circuit

B.2 7400 **\$5,750**

Porter Midas with In-Line Vacuum Control Package

Includes Midas, In-Line Vacuum Control, and 5155-1 Breathing Circuit

C.1 7445-2AV **\$9,500**

Porter Midas Tall E-Stand Package w/ eAVS

Includes Midas, eAVS Vacuum Control, 5155-3 Breathing Circuit, and 2045-3 Tall E-Stand

C.2 7445-2 **\$8,500**

Porter Midas Tall E-Stand Package

Includes Midas, In-Line Vacuum Control, 5155-1 Breathing Circuit, and 2045-3 Tall E-Stand

Porter Midas Flowmeter (Continued)

D.1 7420-AV	\$7,200
<p>Porter Midas Telescoping Wall Arm Package w/ eAVS Includes Midas, eAVS Vacuum Control, 5155-3 Breathing Circuit, and 2020 Telescoping Wall Arm</p>	
D.2 7420	\$6,200
<p>Porter Midas Telescoping Wall Arm Package Includes Midas, In-Line Vacuum Control, 5155-1 Breathing Circuit, and 2020 Telescoping Wall Arm</p>	
E.1 7440-AV	\$7,250
<p>Porter Midas Compact Mobile Stand Package w/ eAVS Includes Midas, eAVS Vacuum Control, 5155-3 Breathing Circuit, and 2040 Compact Mobile Stand</p>	
E.2 7440	\$6,250
<p>Porter Midas Compact Mobile Stand Package Includes Midas, In-Line Vacuum Control, 5155-1 Breathing Circuit, and 2040 Compact Mobile Stand</p>	



7445-2AV



7440-AV



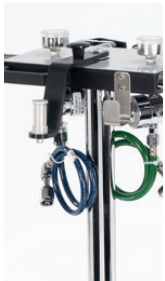
7420-AV

Porter MXR Flowmeter

Package Options:



C
2045-3
Tall E-Stand



D
2045-SHORT3
Short E-Stand



E
2020
Telescoping Wall Arm



F
2035-1
Under Counter Slide Mount



G
2036-3
Cabinet Slide Mount



H
2040
Compact Mobile Stand

Add “-S” to the end of a part number to receive the package with Silhouette in lieu of the 5155 breathing circuit.
Example: 3400AV-S



The gold standard in nitrous oxide delivery

- Precision glass flow tubes for real-time visualization and confirmation of gas flow
- Built for reliability and durability
- Ergonomic flow and percentage control valves
- Emergency oxygen quick connect conveniently located on the side of the MXR

Dimensions: 5” x 8 1/2” x 5 1/2”
Weight: 6 lbs

A 3000 **\$3,713**
Porter MXR Flowmeter and Bag Tee Only*

B.1 3400AV **\$4,828**
Porter MXR with AVS Package*

Includes MXR, AVS 5000 Vacuum Control, and 5155-3 Breathing Circuit

B.2 3400 **\$4,318**
Porter MXR with In-Line Vacuum Control Package*
Includes MXR, In-Line Vacuum Control, and 5155-1 Breathing Circuit

C.1 3445-2AV **\$8,234**
Porter MXR Tall E-Stand Package w/ AVS
Includes MXR, AVS 5000 Vacuum Control, 5155-3 Breathing Circuit, and Tall E-Stand (telescopes from 32 3/16” to 40 13/32” not including flowmeter).

C.2 3445-2 **\$7,727**
Porter MXR Tall E-Stand Package
Includes MXR, In-Line Vacuum Control, 5155-1 Breathing Circuit, and Tall E-Stand (telescopes from 32 3/16” to 40 13/32” not including flowmeter).

D.1 3445-SAV **\$8,234**
Porter MXR Short E-Stand Package w/ AVS
Includes MXR, AVS 5000 Vacuum Control, 5155-3 Breathing Circuit, and Short E-Stand (30 1/2” at lowest position)

D.2 3445-S **\$7,727**
Porter MXR Short E-Stand Package
Includes MXR, In-Line Vacuum Control, 5155-1 Breathing Circuit, and Short E-Stand (30 1/2” at lowest position)

Porter MXR Flowmeter (Continued)

E.1 3420AV	Porter MXR Telescoping Wall Arm Package w/ AVS*	\$5,392
	Includes MXR, AVS 5000 Vacuum Control, 5155-3 Breathing Circuit, and Telescoping Wall Arm	
E.2 3420	Porter MXR Telescoping Wall Arm Package*	\$4,883
	Includes MXR, In-Line Vacuum Control, 5155-1 Breathing Circuit, and Telescoping Wall Arm	
F.1 3435-1AV	Porter MXR Under Counter Slide Package w/ AVS*	\$5,329
	Includes MXR, AVS 5000 Vacuum Control, 5155-3 Breathing Circuit, and Under Counter Slide Mount	
F.2 3435-1	Porter MXR Under Counter Slide Package*	\$4,817
	Includes MXR, In-Line Vacuum Control, 5155-1 Breathing Circuit, and Under Counter Slide Mount	
G.1 3436AV	Porter MXR Cabinet Slide Mount Package w/ AVS*	\$5,401
	Includes MXR, AVS 5000 Vacuum Control, 5155-3 Breathing Circuit, and Cabinet Slide Mount	
G.2 3436	Porter MXR Cabinet Slide Mount Package*	\$4,893
	Includes MXR, In-Line Vacuum Control, 5155-1 Breathing Circuit, and Cabinet Slide Mount	
H.1 3440AV	Porter MXR Compact Mobile Stand Package w/ AVS*	\$5,436
	Includes MXR, AVS 5000 Vacuum Control, 5155-3 Breathing Circuit, and Compact Mobile Stand	
H.2 3440	Porter MXR Compact Mobile Stand Package*	\$4,925
	Includes MXR, In-Line Vacuum Control, 5155-1 Breathing Circuit, and Compact Mobile Stand	

*Additional items may be required: Manifold, Outlet Stations, and Hoses.

Porter Sentry Sedate

PORTABLE ENCLOSED 4 CYLINDER NITROUS OXIDE AND OXYGEN SYSTEM



Porter MXR-D Digital / Analog Flowmeter



Porter MXR-1 Analog Flowmeter

MODELS

- 34 and 44 include 5155-1 Breathing Circuit
- 34AV and 44AV include 5155-3 Breathing Circuit

SENTRY-34	MXR-1 Sentry Sedate	\$10,058
SENTRY-34AV	MXR-1 Sentry Sedate w/ AVS	\$10,675
SENTRY-44	MXR-D Sentry Sedate	\$10,557
SENTRY-44AV	MXR-D Sentry Sedate w/ AVS	\$11,188

Replacement keys, see page 49 for part numbers.

DIMENSIONS & WEIGHT

Height - 33"
 Depth - 24"
 Width - 18"
 Weight - 96 lbs
 (add 2 lbs for Porter Digital MXR) -
 does not include cylinders

The Porter Sentry Sedate features portability and security with:

- Dual Locking Doors
- Holds 2 Oxygen and 2 Nitrous Oxide "E" Cylinders (not included)
- Internal and External Storage
- Working Surface
- Durable Locking Wheels
- Emergency Oxygen Quick Connect

Add "-S" to the end of a part number to receive the package with Silhouette in lieu of the 5155 breathing circuit.
 Example: SENTRY-34AV-S

Porter Sentry Sedate (Continued)

FEATURES FOR PORTABILITY, SECURITY AND CONVENIENCE



The sturdy cabinet design features both internal and external storage.

Sentry Sedate holds two nitrous oxide cylinders and two oxygen cylinders.



A side hook conveniently holds the breathing circuit and hoses.



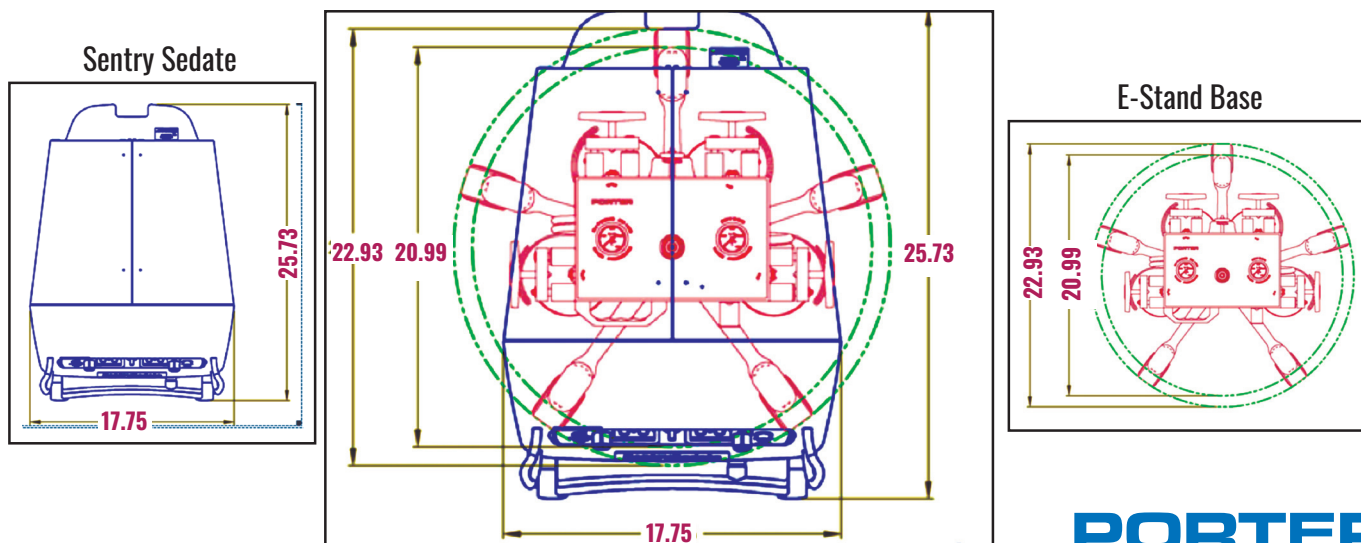
Large locking wheels allow the unit to be easily moved from room to room.



The dual locks ensure safe, secure cylinder storage.

Sentry Sedate and E-Stand Footprint Comparison

SENTRY SEDATE IS 3" NARROWER AND ONLY 3" LONGER THAN AN E-STAND WHEEL BASE!



PORTER

Matrix MDM Flowmeter

Package Options:



C
2045-3
Tall E-Stand



D
2020
Telescoping
Wall Arm



E
2040
Compact Mobile
Stand



F
2042
Tall Mobile Stand

- Large precision glass flow tubes for real-time visualization and confirmation of gas flow
- Only analog flowmeter with “Auto-Compensation” feature
Flow stays consistent as percentage is adjusted
- Flow control knob and percentage adjustment dial

Dimensions: 5” x 13 3/4” x 5 3/4”
Weight: 6.5 lbs



A 94500150 **\$4,042**
Matrix MDM Flowmeter and Bag Tee Only *

B 20050 **\$4,783**
Matrix MDM with Vacuum Control Valve Package *
Includes MDM, Vacuum Control Valve, and Matrix Breathing Circuit

C 24450 **\$8,277**
Matrix MDM Tall E-Stand Package
Includes MDM, Vacuum Control Valve, Matrix Breathing Circuit, and Tall E-Stand

D 28050 **\$5,094**
Matrix MDM Telescoping Wall Arm Package *
Includes MDM, Vacuum Control Valve, Top-Mount Adapter, Matrix Breathing Circuit and Telescoping Wall Arm

E 23050 **\$5,136**
Matrix MDM Compact Mobile Stand Package *
Includes MDM, Vacuum Control Valve, Matrix Breathing Circuit, and Compact Mobile Stand

F 24050 **\$5,186**
Matrix MDM Tall Mobile Stand Package *
Includes MDM, Vacuum Control Valve, Matrix Breathing Circuit, and Tall Mobile Stand

Porter STANDARD Flowmeter

Package Options:



C
2045-3
Tall E-Stand



D
2020
Telescoping Wall Arm



E
2035-1
Under Counter Slide Mount



F
2036-3
Cabinet Slide Mount



G
2040
Compact Mobile Stand

- Precision glass flow tubes for real-time visualization and confirmation of gas flow
- Built for reliability and durability
- Separate oxygen and nitrous oxide control valves
- Automatically pilots to 3 lpm of oxygen when turned on
- Oxygen quick connect conveniently located on the side of the STANDARD

Dimensions: 5" x 8 1/2" x 5 1/2"
Weight: 6 lbs.

A 1100 **\$3,157**
Porter STANDARD Flowmeter and Bag Tee Only*

B 1400 **\$4,142**
Porter STANDARD with In-Line Vacuum Control Package*

Includes STANDARD, In-Line Vacuum Control, and 5155-1 Breathing Circuit

C 1445-2 **\$7,184**

Porter STANDARD Tall E-Stand Package

Includes STANDARD, In-Line Vacuum Control, 5155-1 Breathing Circuit, and Tall E-Stand



D 1420 **\$4,423**
Includes STANDARD, In-Line Vacuum Control, 5155-1 Breathing Circuit, and Telescoping Wall Arm

E 1435-1 **\$4,514**
Porter STANDARD Under Counter Slide Package*
Includes STANDARD, In-Line Vacuum Control, 5155-1 Breathing Circuit, and Under Counter Slide Mount

F 1436 **\$4,631**
Porter STANDARD Cabinet Slide Mount Package*
Includes STANDARD, In-Line Vacuum Control, 5155-1 Breathing Circuit, and Cabinet Slide Mount

G 1440 **\$4,562**
Porter STANDARD Compact Mobile Stand Package*
Includes STANDARD, In-Line Vacuum Control, 5155-1 Breathing Circuit, and Compact Mobile Stand

*Additional items may be required: Manifold, Outlet Stations, and Hoses.

Porter Upright Flowmeter Mount Options



2020	Porter and MatrX Telescoping Wall Arm Extends to 18"	\$570
PA-1734-000	Porter Mounting Stud	\$92
2023	Porter MXR Non Telescoping Wall Mount	\$263
2035-1	Porter MXR Under Cabinet Slide Mount Extends 5"	\$587
2036-3	Porter MXR Side Cabinet Mount Extends 9"	\$587
5335	Remote Bag Tee Post Mount	\$666

Matrx Upright Flowmeter Mount Options



2020	Porter and MatrX Telescoping Wall Arm Extends to 18"	\$570
92505044	Matrx MDM Top Mount Bracket and Stud	\$264
91505093	Matrx MDM/DMDM Bottom Mount Stud w/Nut	\$97
92505045	Matrx MDM/DMDM Bottom Mount Stud	\$98
92505088	Porter MXR Adapter For MatrX Wall Mount	\$98
A-4492-000	2020 Wall Arm Extension	\$186

Porter and Matrix Mobile Cart Options



2045-3	Tall E Stand - 33" to 41"	\$3,830
2045-SHORT3	Short E Stand - 30.5" to 40.5" <i>For Porter Flowmeters Only</i>	\$3,830
2040	Porter or Matrix Compact Mobile Stand - Extends 19.5" to 27.5"	\$582
2042	Porter or Matrix Tall Mobile Stand - Extends 33" to 41"	\$604
HANDLE-1	Post Handle for all Mobile Carts and E-Stands	\$179

**Dimensions do not include flowmeter*

**Wheel Base Dimensions For All Carts: 22 15/16"*



See page 50 for a complete list of spare parts.

Porter MXR Mounting Examples



Porter MXR w/ Tall E-Stand



**Porter MXR w/ Short E-Stand
(cylinders not included)**



Porter MXR w/ Telescoping Wall Arm



Porter MXR w/ Cabinet Slide



Porter MXR w/ Compact Mobile Cart



Porter MXR w/ Cabinet Slide

Porter Midas™ Digital Touchscreen Oral Surgery Packages



- A.1 7400-OS** Flowmeter with Directional Y Valve Package, 5155-1 Breathing Circuit with In-Line Vacuum Control **\$7,200**
- A.2 7400-AV-OS** Flowmeter with Directional Y Valve Package, 5155-3 Breathing Circuit and eAVS **\$8,200**
- B.1 7444-OS** Flowmeter with Directional Y Valve Package, Tall Mobile Cart, 5155-1 Breathing Circuit w/ In-Line Vacuum Control **\$7,700**
- B.2 7444-AV-OS** Flowmeter with Directional Y Valve Package, Tall Mobile Cart, 5155-3 Breathing Circuit and eAVS **\$8,800**
- C.1 7420-OS** Flowmeter with Directional Y Valve Package, Telescoping Wall Arm, 5155-1 Breathing Circuit with In-Line Vacuum Control **\$7,650**
- C.2 7420-AV-OS** Flowmeter with Directional Y Valve Package, Telescoping Wall Arm, 5155-3 Breathing Circuit and eAVS **\$8,650**
- D.1 7445-2-OS** Flowmeter with Directional Y Valve Package, Tall E-Stand, 5155-1 Breathing Circuit with In-Line Vacuum Control **\$9,950**
- D.2 7445-2AV-OS** Flowmeter with Directional Y Valve Package, Tall E-Stand, 5155-3 Breathing Circuit and eAVS **\$10,950**

Package Options:



B 2042
Tall Mobile Cart



C 2020
Telescoping Wall Arm



D 2045-3
Tall E-Stand

91525191		\$1,346
	Directional “Y” Valve Package <i>(included with all packages listed above)</i>	
	Includes: Directional “Y” Valve, Non-Rebreathing Valve, Universal Female Adapter, Corrugated Tube, and Adult and Pedo Full Facemask	
94525192	Directional “Y” Valve	\$785
1597	Non-Rebreathing Valve	\$809
93316426	Pedo Full Facemask	\$121
93316427	Adult Full Facemask	\$121
5060-6	Corrugated Autoclavable Tube	\$119

For “Centrally Plumbed” offices, order Manifold, Outlets, and Hoses.

Porter Oral Surgery Flowmeter and Accessories

C



2042 Tall Mobile Cart
(Also sold separately.
See p. 27)

D



**2200-OS Oral Surgery
Accessory Package**



- The only flowmeter with “High Flow” capabilities
- Precision Porter glass flow tubes
- Ergonomic flow and percentage control valves
- Directional “Y” valve accessory package with adult facemask
- Oxygen quick connect conveniently located on side of flowmeter
- Optional breathing circuit hook sold separately, see p. 30, item E

Dimensions: 5” x 8.5” x 5.5” (without Directional “Y” Valve)
Weight: 6lbs

A 3000-OS **\$3,922**

Porter Oral Surgery Flowmeter and Bag Tee (Threaded) Only

B 3400-OS **\$4,535**

Porter Oral Surgery Flowmeter

Includes OS Flowmeter, 5155-1 Breathing Circuit with In-Line Vacuum Control, and Threaded Bag Tee
(2200-OS Accessory Package not included)

C 3444-OS **\$6,486**

Porter Oral Surgery Tall Mobile Cart Package

Includes 3400-OS Package, Tall Mobile Cart, and 2200-OS

D 2200-OS **\$1,346**

Porter Oral Surgery Accessory Package

Only for use with Porter flowmeters and Threaded Bag Tee (P2407A).
Includes Directional “Y” Valve, Non-rebreathing Valve, Adult Full Facemask, and Corrugated Tubing.

Note: Optional Breathing Circuit Hook available, see p. 27, item E.

Porter Oral Surgery Accessories



A P2407A **\$419**
Porter Oral Surgery Threaded Bag Tee



B 2210K **\$857**
Porter Directional "Y" Valve
 Only for use on Porter Oral Surgery, MXR, or STANDARD flowmeters.
 Must have P2407A to attach. (For Matrix - see next page)



C 1597 **\$809**
Non-Rebreathing Valve

D 93316427 **\$121**
Adult Full Facemask

E 93316426 **\$121**
Pediatric Full Facemask

5060-6 **\$119**
Corrugated Autoclavable Tubing – 6 ft (smooth bore style)



F B-5129-000 **\$149**
Breathing Circuit Hook

Only for use with Porter Oral Surgery, MXR, or STANDARD flowmeters
 (post mount) (Not included with 2200-OS)

G 5054-CAP-KIT **\$134**
Nasal Mask Capnography Kit
 Includes Hole Punch and 25 Luer Locks

H 5054LUERLOCK **\$37**
Disposable Luer Locks (25)



Matrx MDM and Digital MDM Oral Surgery Packages



A Flowmeter with Directional Y Valve Package

50007	MDM Flowmeter	\$5,136
40007	DMDM Flowmeter	\$5,717

B Flowmeter with Directional Y Valve Package, Breathing Circuit and Scavenger Control

20057	MDM Flowmeter	\$5,811
10067	DMDM Flowmeter	\$6,425

C Flowmeter with Directional Y Valve Package, Breathing Circuit with Scavenger Control, and Tall Mobile Cart

24057	MDM Flowmeter	\$6,294
14067	DMDM Flowmeter	\$6,762

D Flowmeter with Directional Y Valve Package, Breathing Circuit, Scavenger Control, and Telescoping Wall Arm

28057	MDM Flowmeter	\$6,199
18067	DMDM Flowmeter	\$6,934

E Flowmeter with Directional Y Valve Package, Breathing Circuit, Scavenger Control, and Tall E-Stand

24457	MDM Flowmeter	\$9,398
14467	DMDM Flowmeter	\$10,298

Package Options:



G 2042
Tall Mobile Cart



D 2020
Telescoping Wall Arm



E 2045-3
Tall E-Stand

Easily adapt any Matrx flowmeter (MDM, D-MDM, RA) with the Matrx Oral Surgery Accessory Package.

91525191 **\$1,346**

Matrx Directional "Y" Valve Package

Includes: Directional "Y" Valve, Non-Rebreathing Valve, Universal Female Adapter, Corrugated Tube, and Adult and Pedo Full Facemask

94525192	Matrx Directional "Y" Valve	\$785
1597	Non-Rebreathing Valve	\$809
93316426	Pedo Full Facemask	\$121
93316427	Adult Full Facemask	\$121
5060-6	Corrugated Autoclavable Tube	\$119

For "Centrally Plumbed" offices, order Manifold, Outlets, and Hoses.

Surgical Suction and Recovery Room



77008037 **\$1,744**
Surgical Suction Recovery Room Package
 (Includes items A-F)

77008037-LPI **\$1,250**
**Surgical Suction Recovery Room Package –
 Less DISS Vacuum Outlet** (Includes all other items in the regular package)
Compatible with vacuum regulator-DISS

Package Includes:



A **77008038**
Vacuum Regulator – DISS



B **91309169**
Matrx Vacuum Outlet – DISS



C **91120152**
1200cc Disposable Canisters



D **77000192**
Conductive Tubing – 6 ft.



E **77000689**
Vacuum Slide and Ring



F **65965600**
Replacement Elbow

A **77008038** **\$1000**
Vacuum Regulator – DISS
Compatible with vacuum outlet - DISS

65944300-OM **\$1000**
Vacuum Regulator - Ohio/Matrx

B **91309169** **\$524**
Vacuum Outlet – DISS

C **91120152** **\$117**
1200cc Disposable Canisters (5)

D **77000192** **\$71**
Conductive Tubing – 6 ft., 1/4" ID

E **77000689** **\$55**
Canister Mounting Bracket

F **65965600** **\$4**
Replacement Elbow

Other Vacuum Outlets:



5600-3 **\$447**
Porter Vacuum Outlet



91309148 **\$485**
Matrx Vacuum Outlet

(Additional outlets and hoses, see pages 36-39)

Oxygen Therapy and Emergency Oxygen



Oxygen Therapy Flowmeters (0-15 LPM)

- A-4543-000** **Oxygen Flowmeter – Porter Quick Connect** \$271
- 91350404** **Oxygen Flowmeter – MatrX Quick Connect (Male QC)** \$278
- 91350408** **Oxygen Flowmeter – DISS Connect (Female)** \$278

-
- C-1782** **O₂ Flowmeter Wall Mount Kit (includes O₂ Flowmeter and Mount)** \$342
 - B-5808** **O₂ Flowmeter Wall Mount – Mount Only** \$108

Other Items:

- A-1675** **O₂ DISS (Male) to Porter O₂ Quick Connect** \$140
- 65918900** **Barbed Adapter – DISS (Female) to Hose Barb** \$5
- 91318129** **Quick Connect Adapter** \$121
1/8" NPT x MatrX Male Quick Connect

- PA-1362-000** **O₂ Flowmeter 90° Adapter** \$57

- B-5761-000** **O₂ Adapter – MDM** \$96

Emergency Oxygen

- 1536-1** **Positive Pressure Demand Valve System** \$1,656
Includes: Demand Valve with Adult Full Facemask, 6 ft. Hose, E-Cylinder Cart, and Regulator with Yoke (Porter Connection) Cylinder not included.

- 1538** **E-Cylinder Cart** \$238

- 1506-1** **Positive Pressure Demand Valve – Porter QC** \$960

- 1506-1M** **Positive Pressure Demand Valve – MatrX QC** \$960

- 1506-1D** **Positive Pressure Demand Valve – DISS** \$960

- 93316427** **Adult Full Face Mask** \$121

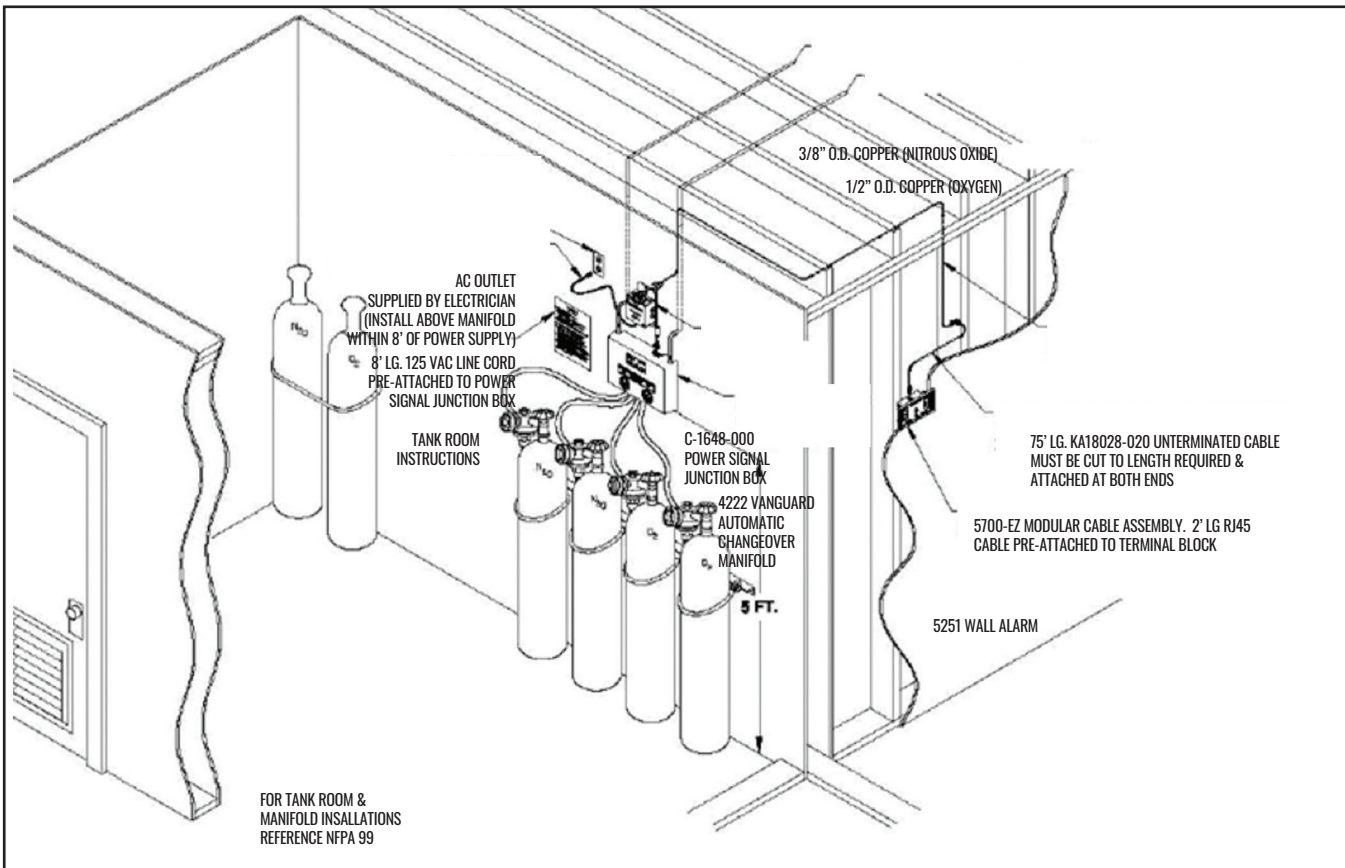
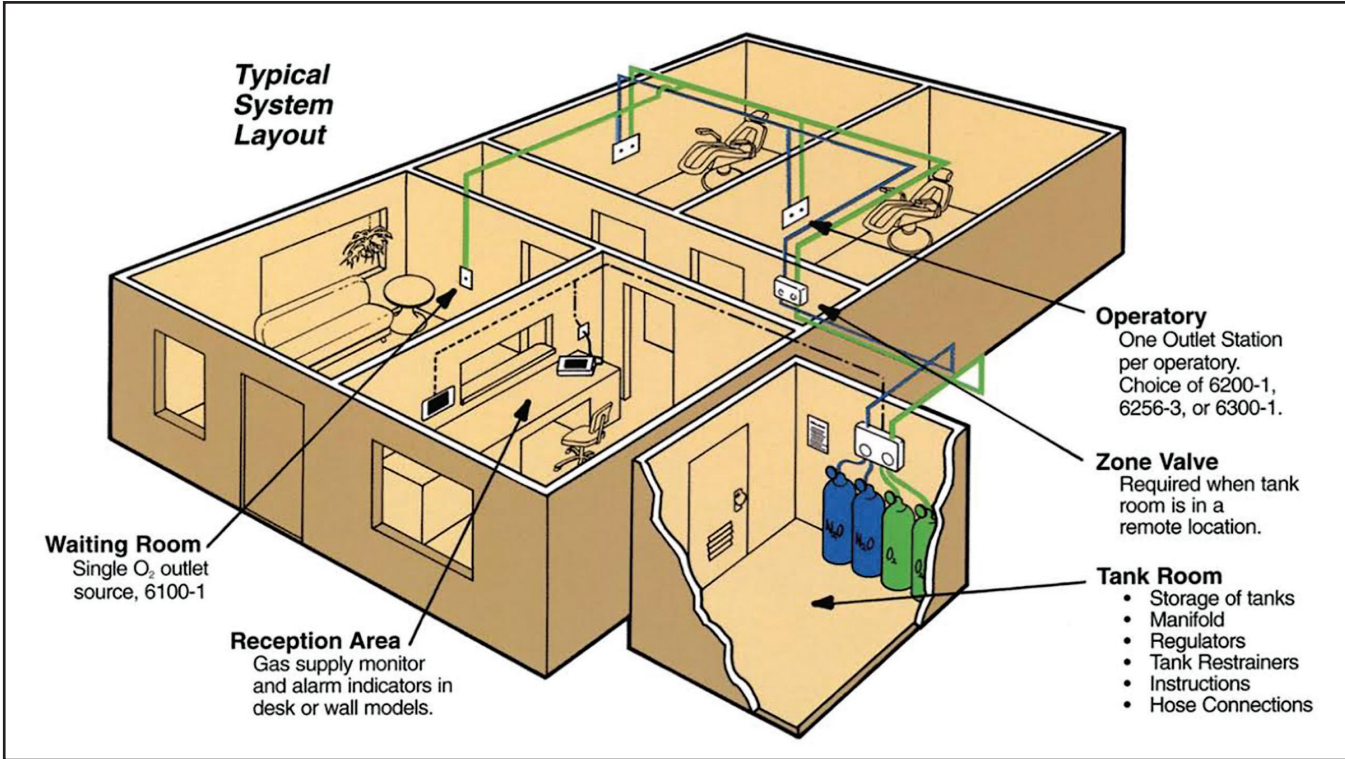
- 93316426** **Pediatric Full Face Mask** \$121

- 1566-1** **Regulator and Yoke w/ Porter Connection** \$646

- 1560-1** **Regulator and Yoke w/ DISS Male Connection** \$646

* For a complete listing of O₂ outlets, see pages 36-37.

Tank Room Layout

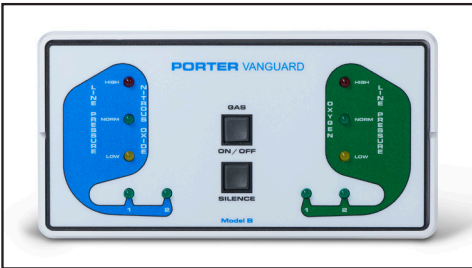


Vanguard Manifold System

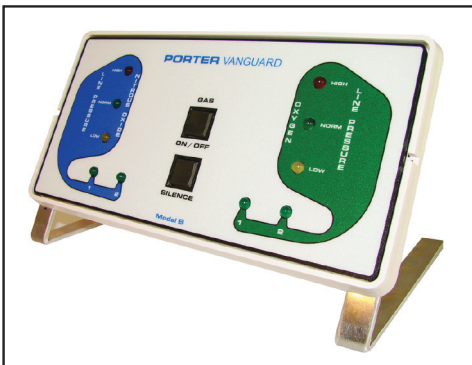
Automatic Changeover Manifold



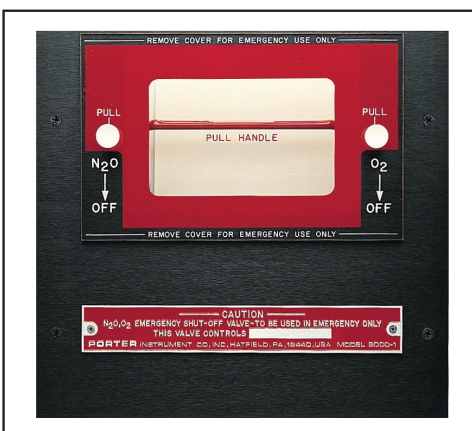
Vanguard Manifold



Vanguard Wall Alarm



Vanguard Desk Alarm



Zone Valve

Complete system including Vanguard Manifold, Wall/Desk Alarm, Manifold Pre-Install Kit, 2 O₂ and 2 N₂O Regulators, O₂ and N₂O hoses, Cylinder Restraints, 75' of Alarm Cable, and Power Supply

4222CXB Vanguard Wall Alarm Package **\$7,544**

4222DXB Vanguard Desk Alarm Package **\$7,544**

4222CXBLPI Vanguard Wall Alarm Package (LPI) **\$6,900**

Complete 4222 system Less Pre-Install Kit

3653-EZW Vanguard Wall Alarm Pre-Install Kit **\$644**
Includes: Cable Assembly (75'), Modular Cable Assembly (2'), Power Junction Box, O₂/N₂O Pigtails, and Mounting Template

4222DXBLPI Vanguard Desk Alarm Package (LPI) **\$6,900**

3653-EZD Vanguard Desk Alarm Pre-Install Kit **\$644**
Includes: Cable Assembly (75'), Modular Cable Assembly (2'), Power Junction Box, O₂/N₂O Pigtails, and Mounting Template

9000-2 Vanguard System Concealed Zone Valve Shut Off **\$1,994**
Cut Out Dimensions: 9" W x 10.5" H

Vanguard System Individual Components

- 4222NOHF-1** Vanguard Manifold Only **\$5,381**
- 6251A** Wall alarm only **\$1,778**
- 6201A** Desk alarm only **\$1,778**
- 7000-2** Oxygen tank regulator **\$523**
- 7500-2** Nitrous Oxide tank regulator **\$523**
- 8003** 3 ft Oxygen Hose (tank to Manifold) **\$180**
- 8503-B** 3 ft Nitrous Oxide Hose (tank to Manifold) **\$180**
- 3525** Cylinder Restraints (Set of 2) **\$206**
- A-2144** DISS Copper Pigtails O₂ 1/2" O.D. and N₂O 3/8" O.D. **\$173**

Matrx Manifold Retrofit Elbows

- B-5496-000** N₂O Elbow **\$90**
- B-5497-000** O₂ Elbow **\$90**

*For additional Vanguard Manifold Parts – see page 52

Sentinel Manifold System

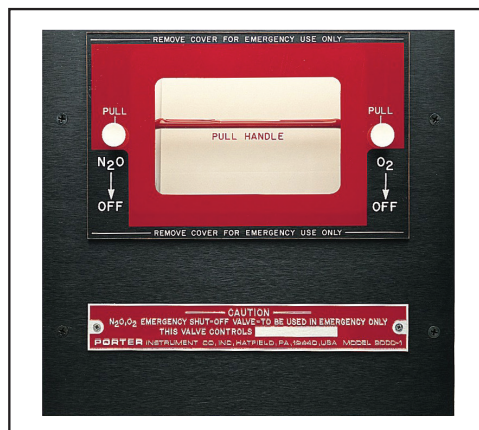
Manual Changeover Manifold System



Sentinel Manifold



Sentinel Wall Alarm Panel



Zone Valve

Complete system including Sentinel Manifold, Wall Alarm, Manifold Pre-Install Kit, 2 O₂ and 2 N₂O Regulators, O₂ and N₂O hoses, Cylinder Restraints, 75' of Alarm Cable, and Power Supply

3222CX **\$5,858**
Sentinel Wall Alarm Package

3221CX **\$5,471**
Sentinel Wall Alarm Package
 Wall Alarm package for 2 O₂ and 1 N₂O Cylinders

3222CX-N/R&H **\$4,046**
Sentinel Wall Alarm Package
 No Regulators or Hoses

9000-1 **\$1,994**
Sentinel System Concealed Zone Valve Shut Off
 Cut Out Dimensions: 9" W x 10.5" H

Sentinel System Individual Components

- | | | |
|----------------|--|----------------|
| 3222MXB | Sentinel Manifold Only | \$3,052 |
| 5251 | Wall alarm only | \$1,311 |
| 7000-2 | Oxygen tank regulator | \$523 |
| 7500-2 | Nitrous Oxide tank regulator | \$523 |
| 8003 | 3 ft Oxygen Hose (tank to Manifold) | \$180 |
| 8503-B | 3 ft Nitrous Oxide Hose (tank to Manifold) | \$180 |
| 3525 | Cylinder Restraints (Set of 2) | \$206 |
| A-2144 | DISS Copper Pigtails O₂ 1/2" O.D. and N₂O 3/8" O.D. | \$173 |

Matrx Manifold Retrofit Elbows

- | | | |
|-------------------|-----------------------------|-------------|
| B-5496-000 | N₂O Elbow | \$90 |
| B-5497-000 | O₂ Elbow | \$90 |

**For additional Sentinel Manifold Parts – see page 53*

Nitrogen Manifold and Accessories



8201 **\$2,838**

Nitrogen Manifold System

Includes one regulator, tank restraints & one 3ft. hose

8202 **\$3,630**

Nitrogen Manifold System

Includes two regulators, tank restraints & two 3ft. hoses

8203 **\$4,420**

Nitrogen Manifold System

Includes three regulators, tank restraints & three 3ft. hoses



Nitrogen Outlet Assembly

6-233114-00	Nitrogen Rough In	\$156
-------------	-------------------	--------------

6-230914-00	Nitrogen Latch Valve – DISS	\$97
-------------	-----------------------------	-------------

6-325161-00	Outlet Trim Plate	\$45
-------------	-------------------	-------------

(Order one of each)



PARTS ONLY

7400-1 **\$550**

Nitrogen Regulator Only

8803 **\$171**

Nitrogen Hose, DISS/DISS, 3ft.

Note: Stock number listed is for 3 ft. Last digit indicates length.

Example: 8805 hose N₂, DISS/DISS=5ft. long

8200 **\$2,104**

Nitrogen Manifold Only

PA-1140-000 **\$121**

Nitrogen Check Valve Assy.

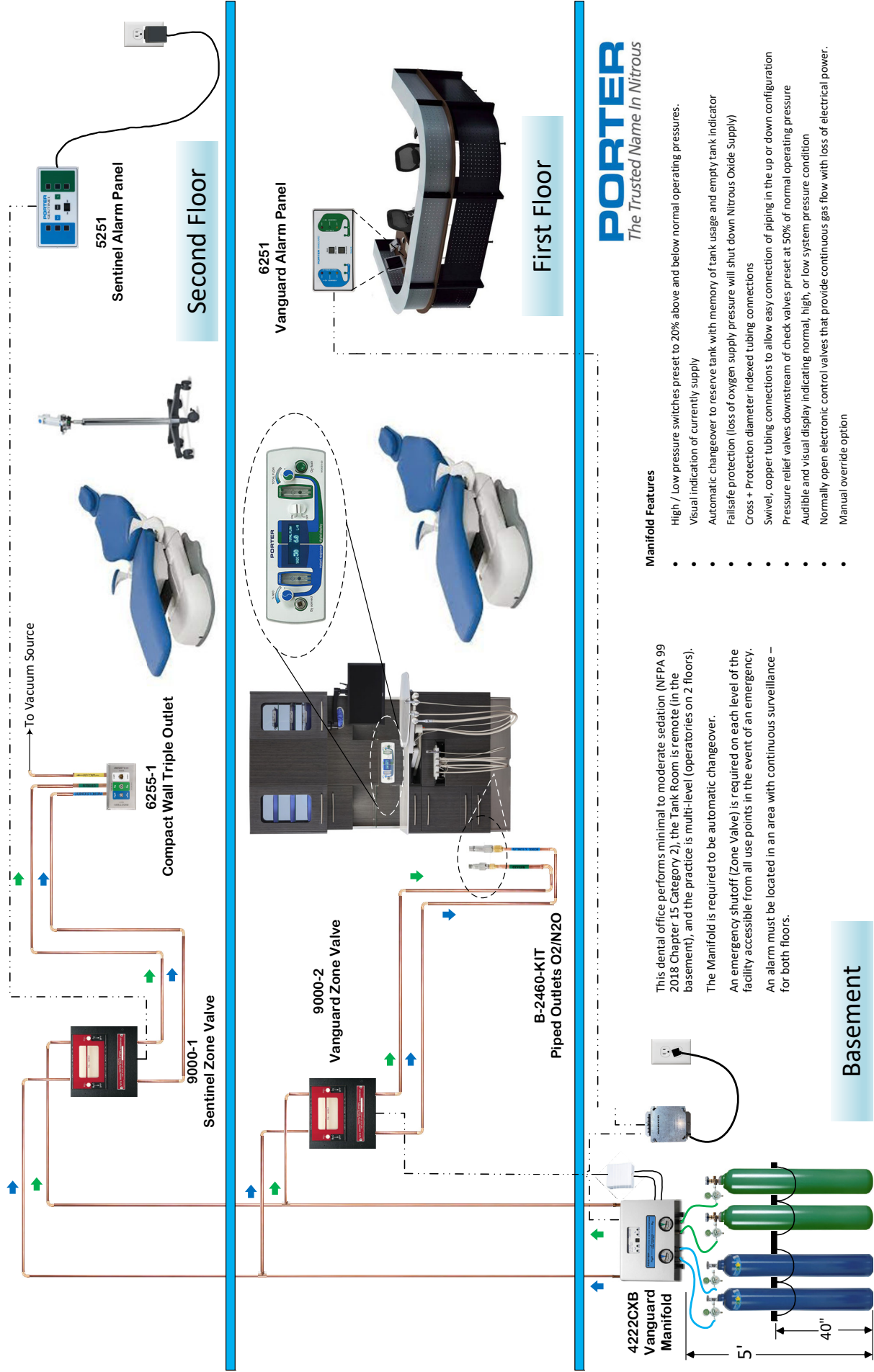
(For 8200 series models)

PA-1143-000 **\$90**

Nitrogen Gauge

(For 8200 series models)

Porter Multi-Floor Manifold and Zone Valve Application Layout



PORTER
The Trusted Name In Nitrous

Manifold Features

- High / Low pressure switches preset to 20% above and below normal operating pressures.
- Visual indication of currently supply
- Automatic changeover to reserve tank with memory of tank usage and empty tank indicator
- Failsafe protection (loss of oxygen supply pressure will shut down Nitrous Oxide Supply)
- Cross + Protection diameter indexed tubing connections
- Swivel, copper tubing connections to allow easy connection of piping in the up or down configuration
- Pressure relief valves downstream of check valves preset at 50% of normal operating pressure
- Audible and visual display indicating normal, high, or low system pressure condition
- Normally open electronic control valves that provide continuous gas flow with loss of electrical power.
- Manual override option

This dental office performs minimal to moderate sedation (NFPA 99 2018 Chapter 15 Category 2), the Tank Room is remote (in the basement), and the practice is multi-level (operatories on 2 floors).

The Manifold is required to be automatic changeover.

An emergency shutoff (Zone Valve) is required on each level of the facility accessible from all use points in the event of an emergency.

An alarm must be located in an area with continuous surveillance – for both floors.

PORTER

Porter Quick Connect Outlet Stations

Porter Outlets



6100-1 \$366
Single Oxygen Outlet Station

6200-1 \$514
Dual Outlet Station, O₂/N₂

6250K \$60
Exposed Cover For Surface Mount 6100-1 or 6200-1

6300-1 \$839
Floor Mounted Outlet Station

6255-1 \$808
**Compact Wall Triple Outlet
 O₂/N₂O/Vacuum**

6256-3 \$808
**Triple Outlet
 Concealed Triple Outlet**

6258-1 \$804
**Compact Triple Outlet for Cabinets
 (no hoses or piped outlet connections)**

6258-3 \$1,398
**Compact Triple Outlet for Cabinets
 With 3 foot hoses and piped outlet connections**

6258-5 \$1,398
**Compact Triple Outlet for Cabinets
 With 5 foot hoses and piped outlet connections**

6258-1B \$804
**Compact Triple Outlet for Cabinets w/ Back Connections
 (no hoses or piped outlet connections)**

6258-3B \$1,398
**Compact Triple Outlet for Cabinets w/ Back Connections
 With 3 foot hoses and piped outlet connections**

6258-5B \$1,398
**Compact Triple Outlet for Cabinets w/ Back Connections
 With 5 foot hoses and piped outlet connections**

5600-3 \$447
Vacuum Outlet Station

Matrx (OHIO) Quick Connect and DISS Style Outlets

Recessed Ohio Quick Connect Outlet Stations



Order No.	Description	List Price
91309146	O₂, Matrx Single Quick Connect	\$485
91309147	N₂O, Matrx Single Quick Connect	\$485
91309148	VAC, Matrx Single Quick Connect	\$485
91309150	O₂/N₂O Matrx Dual Quick Connect	\$714
91309151	O₂/N₂O/Vac Matrx Triple Quick Connect	\$998

Recessed DISS Outlet Stations



Order No.	Description	List Price
91309163	O₂, DISS Single	\$524
91309164	N₂O, DISS Single	\$524
91309169	VAC, DISS Single	\$524



91309171	O₂/N₂O Dual DISS	\$854
-----------------	---	--------------



91309172	O₂/N₂O/VAC Triple DISS	\$1,207
-----------------	---	----------------

Mini O₂ Outlet w/ DISS Back Fitting

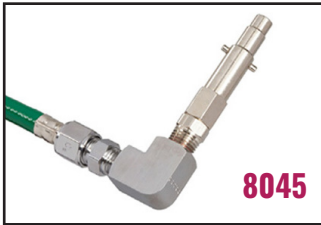


4107201187	Mini Oxygen Outlet Rough In	\$126
4107214634	Mini Oxygen Outlet Latch Assembly (OHIO)	\$126

Hoses and Quick Connects

 <p>8065</p>	<p>8065 O₂/N₂O, Porter Dual Male/ DISS Female, 5ft \$320</p>	 <p>8055</p>
 <p>92305126-5</p>  <p>92305118-5</p>	<p>92305126-5 O₂, Matrx (OHIO) Male/DISS Female, 5ft. \$180</p> <p>92305127-5 N₂O, Matrx (OHIO) Male/DISS Female, 5ft.. \$180</p> <p>92305118-5 O₂, Matrx (OHIO) Female/DISS Female, 5ft. \$269</p> <p>92305119-5 N₂O, Matrx (OHIO) Female/DISS Female, 5ft. \$269</p>	
 <p>8505</p>  <p>92305288</p>  <p>92305289</p>	<p>8005 O₂, DISS/DISS, 5ft., Female \$180</p> <p>8505 N₂O, DISS/DISS, 5ft., Female \$180</p> <p>8005-F/M O₂, DISS Female/Male, 5ft. \$197</p> <p>8505-F/M N₂O, DISS Female/Male, 5ft. \$197</p> <p>92305288-5 O₂, DISS Hand Twist Female/DISS Female, 5 ft. \$186</p> <p>92305289-5 N₂O, DISS Hand Twist Female/DISS Female, 5ft. \$186</p>	
 <p>8015</p>	<p>8015 O₂, Chemetron (NCG) Male/DISS Female, 5 ft. \$271</p> <p>8515 N₂O, Chemetron (NCG) Male/DISS Female, 5 ft. \$271</p>	
 <p>8025</p>	<p>8025 O₂, Puritan Male/DISS Female, 5 ft. \$271</p> <p>8525 N₂O, Puritan Male/DISS Female, 5 ft. \$271</p>	
 <p>8035</p>	<p>8035 O₂, Schrader Male/DISS Female, 5 ft. \$304</p> <p>8535 N₂O, Schrader Male/DISS Female, 5 ft. \$304</p>	

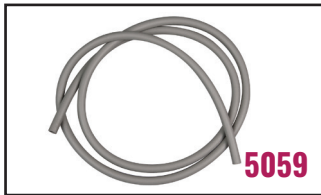
All hose prices 1 – 5 ft are same price. Last digit of part numbers indicates length.
Call Porter for price per foot of O₂ and N₂O hose.



8045	O₂, Oxequip Male / DISS Female, 5ft.	\$271
8545	N₂O, Oxequip Male / DISS Female, 5ft.	\$271

Vacuum Hoses and Vacuum Quick Connects

Vacuum Hoses Only



5059	Vacuum Hose (Grey), 8ft. (3/8" ID, 5/8" OD)	\$65
PA-679-000	Vacuum Hose (Grey), By the foot (3/8" ID, 5/8" OD)	\$12/ft.



PA-679-CLR25	Vacuum Hose (Clear), 25ft. (3/8" ID, 5/8" OD)	\$135
91525143	Vacuum Hose (Matrx Remote Bag Tee), 10ft.	\$40
PA-1160-000	Vacuum Hose (Matrx Remote Bag Tee), by the foot	\$6/ft.
92515063-5	Vacuum Hose, 1/4" MNPT / Matrx Ohio Male, 5ft.	\$165
92515064-5	Vacuum Hose, 1/4" MNPT / DISS Female, 5ft.	\$186
92305248-5	Vacuum Hose, DISS Female / DISS Female, 5ft.	\$158

Vacuum Connects Only



5602	Porter Vacuum Quick Connect Right Angle w/ 3/8" Barb	\$169
A-4266-000	Porter Vacuum Quick Connect (Straight) w/ 3/8" Barb	\$173



5670	Matrx (OHIO) Vacuum Quick Connect w/ 3/8" Barb	\$169
5602-DISSVAC	DISS Vacuum Connect w/ 3/8" Barb	\$169



5602-CT	Chemetron Vacuum Quick Connect w/ 3/8" Barb	\$169
5602-PB	Puritan Vacuum Quick Connect w/ 3/8" Barb	\$185



5602-OM	Oxequip Medstar Vacuum Quick Connect w/ 3/8" Barb	\$185
5602-DISSWAG	DISS WAGD Vacuum Connect w/ 3/8" Barb	\$185



5670WAGD	Matrx (OHIO) WAGD Vacuum Quick Connect w/ 3/8" Barb	\$177
5602-CTWAG	Chemetron WAGD Vacuum Quick Connect w/ 3/8" Barb	\$192
5602-PBWAG	Puritan WAGD Connect w/ 3/8" Barb	\$185
5602-RK	Right Angle Retrofit	\$264

C-598-004	O₂ Splitter DISS (order hoses separately)	\$179
C-598-003	N₂O Splitter DISS (order hoses separately)	\$179
B-5497-000	O₂ 90° Elbow Female DISS / Female DISS	\$90
B-5496-000	N₂O 90° Elbow Female DISS / Female DISS	\$90

Silhouette Low Profile Nasal Mask

PORTER
Silhouette
LOW PROFILE NASAL MASK



Silhouette Single-Use Low Profile Mask and Breathing Circuit – All In One!



Porter's Silhouette Nasal Mask is available in 4 sizes: *Pedo, Small, Medium and Large*, resulting in an improved fit for your patients.

- Save time on sterilization*
- Low profile
- Scavenging efficiency
- Unobstructed access
- Predictable experience
- Save space in sterilizer*
- Single use mask and tubing
- Improves seal around nose
- Can be used with **any brand flowmeter**

* Compared to requirements of traditional breathing circuits

Here is all you need to convert your existing flowmeter:

**Silhouette Retrofit Package
(Part # SIL2-RETRO-PKG)**

**Silhouette Variety Pack
(Part # SIL2-VAR-4x3)**

View videos and additional information at: www.porterinstrument.com/silhouette

Silhouette Low Profile Nasal Mask (Continued)

Try this exciting new product by ordering a Silhouette Retrofit Package and Variety Pack



SIL2-RETRO-PKG Silhouette Retrofit Package (order one for each flowmeter) Includes: Cannula Adapter, Breathing Bag Cap, 6.5' Fresh Gas/Vacuum Tubing, 4 Color Coded Sizer Masks, Clip, and Vacuum Block Adjustor **\$90**

SIL2-VAR-4X3 Variety 12 Pack: 3 of each size - Pediatric, Small, Medium, Large **\$113**



SIL2-PEDO-12 Pediatric Silhouette – 12 Pack **\$104**

SIL2-SM-12 Small Silhouette – 12 Pack **\$104**

SIL2-MED-12 Medium Silhouette – 12 Pack **\$113**

SIL2-LG-12 Large Silhouette – 12 Pack **\$113**

SIL2-PEDO-24 Pediatric Silhouette – 24 Pack **\$194**

SIL2-SM-24 Small Silhouette – 24 Pack **\$194**

SIL2-MED-24 Medium Silhouette – 24 Pack **\$217**

SIL2-LG-24 Large Silhouette – 24 Pack **\$217**



SIL2-CAPNO

Silhouette Parts

SIL-SIZER-4 Silhouette Sizer Masks - Color Coded - 1 For Each Size (included w/ SIL2-RETRO-PKG) **\$36**

B-5581-001 Fresh Gas and Vacuum Tubing, 3/8 + 1/4 X 78" (included w/ SIL2-RETRO-PKG) **\$66**

SIL-ADPT-PKG 3 Pack Adapter Package, Canula Adapter, Clip w/ Strap, Bag Tee Cap **\$30**

SIL-VAC Silhouette Vacuum Block Adjuster **\$52**

SIL2-CAPNO Silhouette Capnography Barbs (25) **\$16**

B-5603-005 Cannula Adapter (5) **\$18**

PA-1630-005 Plastic Strap w/ Clip (5) **\$14**

62905510W5 Bag Tee Cap (5) **\$15**

1585 15mm to 22mm Right Angle Adapter **\$19**

1571-22 22mm Right Angle Adapter **\$40**



SIL2-CAPNO Attached



SIL-VAC

Porter Breathing Circuits and Vacuum Control



PORTER BREATHING CIRCUITS WITH ADULT HOOD

5155-3AV	\$1,327
Porter Adult Breathing Circuit w/ AVS	
5155-1	\$940
Porter Adult Breathing Circuit w/ In-Line Vacuum Control	
5155-3	\$797
Porter Adult Breathing Circuit – No Vacuum Control	



AVS-5000

PORTER BREATHING CIRCUITS WITH PEDIATRIC HOOD

5155-4AV	\$1,327
Porter Pediatric Breathing Circuit w/ AVS	
5155-2	\$940
Porter Pediatric Breathing Circuit w/ In-Line Vacuum Control	
5155-4	\$797
Porter Pediatric Breathing Circuit – No Vacuum Control	

*Order 4100-3NL or 4100-2NL Breathing Bag Separate (see page 44)

PORTER VACUUM CONTROLS

AVS-5000	\$650
Automatic Vacuum Switch	
AVS-5000S	\$781
Automatic Vacuum Switch w/ Swivel Mount	
AVS-5000QD	\$650
Automatic Vacuum Switch w/ Quick Disconnect	
EAVS-5000-F	\$1200
Midas Flush-Mount Automatic Vacuum Switch	
EAVS-5000-P	\$1200
Midas Portable Automatic Vacuum Switch	
5501-RK	\$151
In-Line Vacuum Control	



AVS-5000S



AVS-5000QD



5501-RK

P1407QD Bag Tee not included – order separately

Porter Nasal Hoods



PORTER AUTOCLAVABLE NASAL HOODS

ADULT

5054A \$381

Porter Adult Double Mask Hood Kit w/ 3 Inner Mask Liners

5054C \$341

Porter Adult Double Mask w/ 1 Inner Mask Liner

5054-1 \$84

Porter Adult Inner Mask Liners (3)

PEDIATRIC

5054B \$381

Porter Pediatric Double Mask Hood Kit w/ 3 Inner Mask Liners

5054D \$341

Porter Pediatric Double Mask Hood Kit w/ 1 Inner Mask Liner

5054-2 \$84

Porter Pediatric Inner Mask Liners (3)

PORTER DISPOSABLE NASAL HOODS

ADULT

5053AD12 \$59

Porter Adult Disposable Inner Mask Liners (12)

5053AD12C \$59

Porter Adult Disposable Inner Mask Liners – Citrus (12)

5053AD144 \$673

Porter Adult Disposable Inner Mask Liners (144)

5053AD144C \$673

Porter Adult Disposable Inner Mask Liners – Citrus (144)

PEDIATRIC

5053PD12 \$59

Porter Pediatric Disposable Inner Mask Liners (12)

5053PD12C \$59

Porter Pediatric Disposable Inner Mask Liners – Citrus (12)

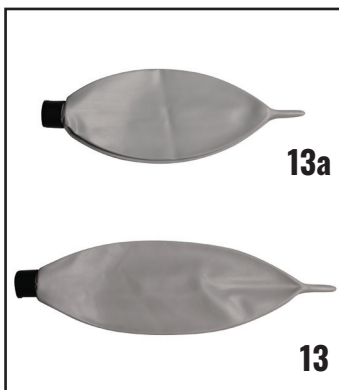
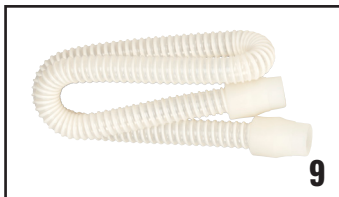
5053PD144 \$673

Porter Pediatric Disposable Inner Mask Liners (144)

5053PD144C \$673

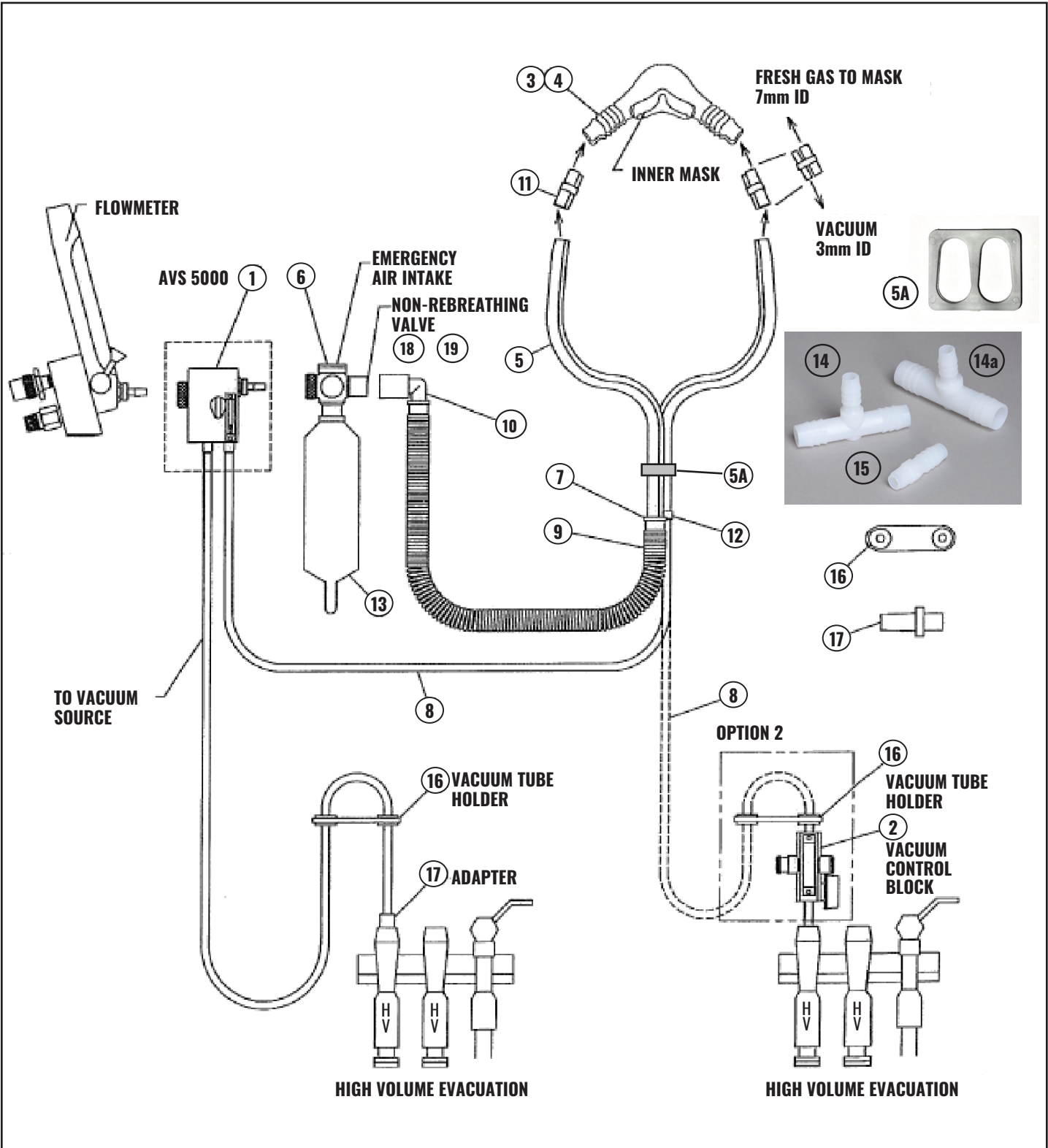
Porter Pediatric Disposable Inner Mask Liners – Citrus (144)

Porter Breathing Circuit Accessories And Parts



ITEM	PART NO.	DESCRIPTION	RETAIL
1	AVS-5000	Automatic Vacuum Switch (AVS)	\$650
2	5501-RK	In-Line Vacuum Control Block Kit	\$151
3	5054A	Porter Adult Hood Kit w/ 3 Liners	\$381
3a	5054C	Porter Adult Hood Kit w/ 1 Liner	\$341
4	5054B	Porter Pedit Hood Kit w/ 3 Liners	\$381
4a	5054D	Porter Pedit Hood Kit w/ 1 Liners	\$341
*	5066	Porter Hood Inner Liner Flapper Valve (3)	\$34
5	5056	Coaxial Tubing – set of 2 (27")	\$288
5a	5057	Coaxial Tension Slide Adjuster	\$30
6	P1407A	Porter Bag Tee	\$331
6a	P1407QD	Porter Quick Connect Bag Tee	\$421
6b	P2407A	Porter Oral Surgery Flowmeter Threaded Bag Tee	\$419
7	5058	Fresh Gas "Y" Connector	\$34
8	5059	Vacuum Hose 8ft. (3/8" ID, 5/8" OD)	\$65
8a	PA-679-000	Vacuum Hose Per Foot	\$12
9	5060-3	Fresh Gas Autoclavable Corrugated Tubing 3ft. (22mm ID, 7/8" OD)	\$93
9a	5060-6	Fresh Gas Autoclavable Corrugated Tubing 6 ft. (22mm ID, 7/8" OD)	\$119
10	1571-22	22mm Right Angle Flowmeter Adapter	\$40
10a	1570-24	24mm Right Angle Flowmeter Adapter	\$55
11	5061	Mask to Tubing Plastic Connectors (Set of 2)	\$41
12	5062	Vacuum Hose "Y" Connector	\$37
13	4100-3NL	3 Liter Bag, Non-Latex	\$59
13a	4100-2NL	2 Liter Bag, Non-Latex	\$59
14	5063	1/2" with 3/8" T Adapter	\$19
14a	5068	5/8" with 3/8" T Adapter	\$19
15	5064	3/8" w/ 1/8" NPT Straight Adapter	\$19
16	5065	Vacuum Tube Holder	\$34
17	A-3679-000	HVE Adapter, Black, 3/4" Round (VAC/MASK)	\$43
18	A-4297-000	Porter Bag Tee Flapper / Exhalation Valve Assembly	\$43
19	4650	Porter Bag Tee Flapper / Exhalation Valve Only	\$19

Porter Breathing Circuit Accessories And Parts



Matrix Scavenger, Nasal Hoods, and Vacuum Control



Matrix Scavenger - W/3-Liter Breathing Bag and Scavenger Control Valve
82501 Matrix Scavenger Large \$988
82502 Matrix Scavenger Medium \$988
82503 Matrix Scavenger Pediatric \$988

Matrix Scavenger - W/3-Liter Breathing Bag
82504 Matrix Scavenger Large \$731
82505 Matrix Scavenger Medium \$731
82506 Matrix Scavenger Pediatric \$731

Matrix Scavenger Assemblies Only
91515192 Matrix Scavenger Large \$696
91515193 Matrix Scavenger Medium \$696
91515194 Matrix Scavenger Pediatric \$696

Matrix Scavenger Without Hood
91515197 Matrix Scavenger w/out Hood \$569

Autoclavable Nasal Hoods - Matrix Scavenger
91515096 Large Nasal Hood Only \$118
91515095 Medium Nasal Hood Only \$118
91515094 Pediatric Nasal Hood Only \$118

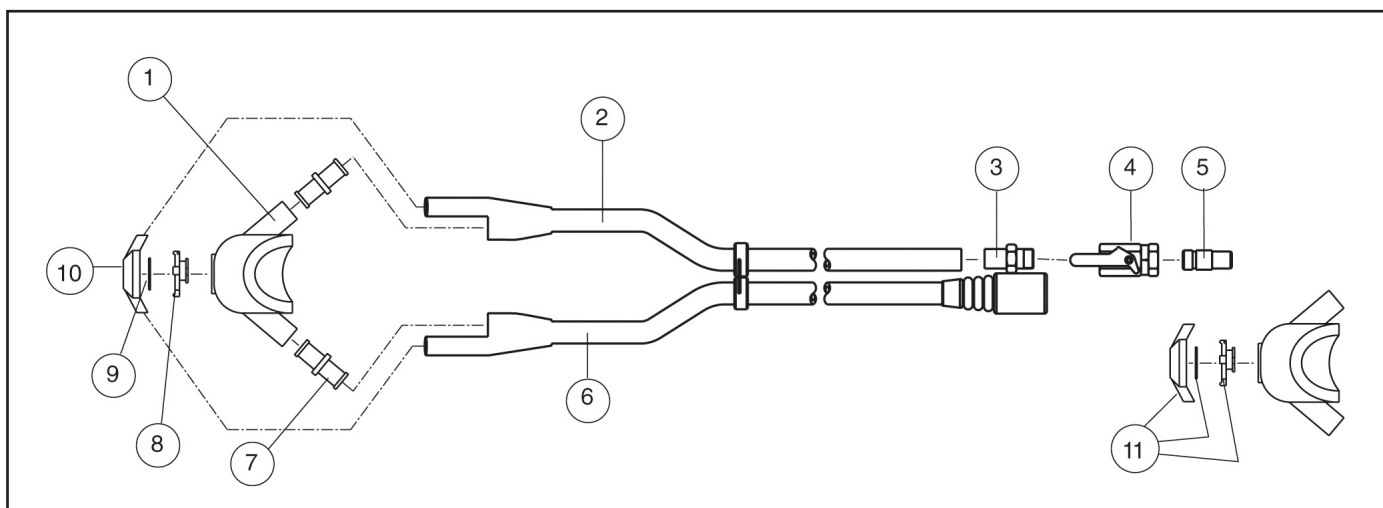
Miscellaneous Replacement Parts
4100-3NL 3-Liter Breathing Bag NON-LATEX \$59
4100-2NL 2-Liter Breathing Bag NON-LATEX \$59

Matrix Scavenger Control Valves
91515083 For MDM/RA \$355
77000963 Replacement Knob \$54
91525109 For Digital MDM \$337
77000961 Replacement Knob \$71
91515085 With Ohio Quick-Connect Adapter \$424
91515086 For Cabinet Mounting \$344

Quick Connect Vacuum Hose Adapter
92515063-8 Quick Connect Hose \$261
 For Connecting Scavenger + \$4/ft. to Vacuum Outlet: Ohio QC x 1/4" NPT



Matrix Scavenger Parts



ITEM	PART NO.	DESCRIPTION	RETAIL
1	91515094	Pediatric Autoclavable Nasal Hood	\$118
1	91515095	Medium Autoclavable Nasal Hood	\$118
1	91515096	Large Autoclavable Nasal Hood	\$118
2	91515202	Replacement Vacuum Tubing	\$152
3	91515158	Replacement Vacuum Nipple (small orifice)	\$39
4	91515159	Replacement Shut-off Valve	\$92
5	91515205	Replacement Vacuum Adapter	\$21
6	91515203	Replacement Gas Tubing w/slide	\$152
7	91515201	Replacement Hood/Hose Connector (2/pk)	\$31
8	91515207	Replacement Cage Valve	\$54
9	91515162	Replacement Non-Breathing Valve (5 pk)	\$21
10	91515208	Replacement Matrix Scavenger Cone	\$71
11	91515177	Replacement Matrix Scavenger Cone Assembly	\$119



Matrix DynoMite Single-Use Nasal Hoods



The only scented, single-use nasal hoods that come packaged with a colorful cartoon sticker.

- 3 size options and 5 scent options
- Universal adapter available

Universal Conversion Kit

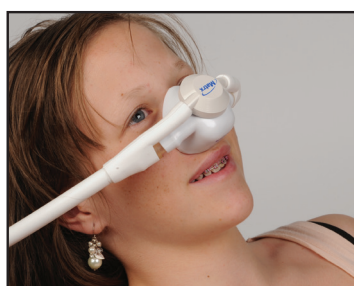
91515142	DynoMite Nasal Hood Universal Conversion Kit Easily retrofit Porter, Accutron and Belmed breathing circuits to use Matrix Dynamite nasal hoods.	\$114
-----------------	---	--------------

DynoMite 12 Pack Bag

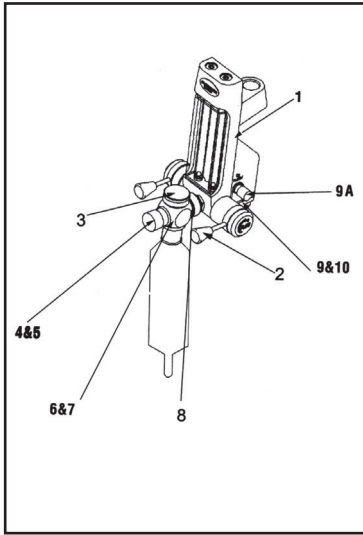
91316496	Bubble Gum Small	\$77
91316503	Bubble Gum Medium	\$77
91316510	Bubble Gum Large	\$77
91316497	Strawberry Small	\$77
91316504	Strawberry Medium	\$77
91316511	Strawberry Large	\$77
91316498	Orange Small	\$77
91316505	Orange Medium	\$77
91316512	Orange Large	\$77
91316499	Vanilla Small	\$77
91316506	Vanilla Medium	\$77
91316513	Vanilla Large	\$77
91316500	Plain Small	\$77
91316507	Plain Medium	\$77
91316514	Plain Large	\$77
91316501	Assorted Scents Small	\$77
91316508	Assorted Scents Medium	\$77
91316515	Assorted Scents Large	\$77
91316516	Assorted Scents Various	\$77

DynoMite 24 Pack Bag

91316461	Bubble Gum Small	\$139
91316468	Bubble Gum Medium	\$139
91316475	Bubble Gum Large	\$139
91316462	Strawberry Small	\$139
91316469	Strawberry Medium	\$139
91316476	Strawberry Large	\$139
91316463	Orange Small	\$139
91316470	Orange Medium	\$139
91316477	Orange Large	\$139
91316464	Vanilla Small	\$139
91316471	Vanilla Medium	\$139
91316478	Vanilla Large	\$139
91316465	Plain Small	\$139
91316472	Plain Medium	\$139
91316479	Plain Large	\$139
91316466	Assorted Scents Small	\$139
91316473	Assorted Scents Medium	\$139
91316480	Assorted Scents Large	\$139
91316481	Assorted Scents Various	\$139

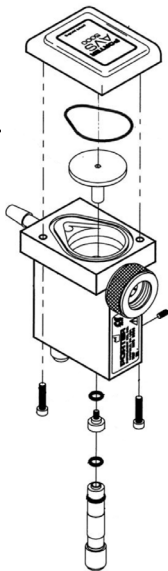


Flowmeter Parts for Porter MXR, Porter Oral Surgery, Porter Standard Models and AVS Parts



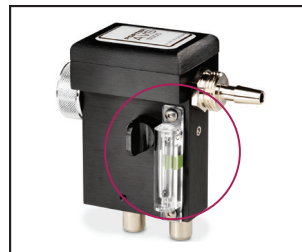
MXR and Standard Flowmeters

STOCK NO.	DESCRIPTION	
1. PA-236-001	Flow Tube Cover Models 3000 and 1100	\$54
1a. PA-236-PL	Flow Tube Cover Model 2000	\$54
2. P2400	Sterile Knob Kit, Set of 2	\$117
3. A-2134	Emergency Air Intake Valve Assembly	\$141
4. A-4297-000	Non-rebreathing Check Valve Assembly	\$43
5. 4650	Flapper Valve Only	\$19
6. P1407A	Bag Tee Assembly	\$331
P1407QD	Bag Tee Assembly, Quick Disconnect	\$421
7. P2407A	Oral Surgery Bag Tee Assembly (threaded)	\$419
7a. A-1890-TF4	Teflon Washer for Oral Surgery Y Valve	\$14
8. A-3379-000	Cannula / Bag Tee Adapter	\$118
8a. PA-296-001	Viton Sealing Washer for Bag Tees	\$5
9. A-1762	On / Off Switch Assembly	\$128
9a. PA-128-PL3	Green Knob for On/Off Switch	\$19
10. A-4059-000	On / Off Switch Rebuilt Kit	\$34



Automatic Vacuum Switch Parts

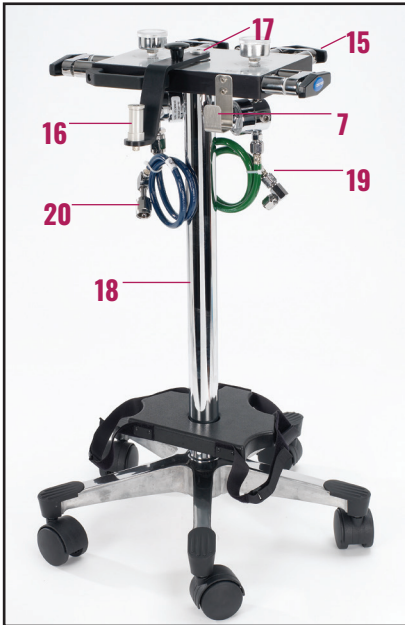
AVS-KIT	AVS Rebuild Kit	\$90
B-3814-KIT	AVS Sight Glass Repair Kit	\$61



Sentry Sedate Replacement Parts – Keys & Lock

PA-1687-001	Sentry Keys (2016-Present)	\$42
PA-1687-002	Sentry Keys (2014-2015)	\$42
PA-1687-000	Sentry Keys (2013)	\$42
C-1695-002	Sentry Lock Kit (1)	\$79

Porter and Matrix E-Stand and Mobile Cart Parts



E-Stand Regulators are not field serviceable / replaceable.

E-STAND AND MOBILE CART PARTS (TALL OR SHORT)

1. A-3369-000	Porter / Matrix Mounting Stud w/ Washer (for all Porter / Matrix Mobile Stands)	\$65
2. C-1658-000	5 Star Wheel Base Cylinder Restraint	\$152
3. 91505113	5 Star Wheel Base	\$231
4. PA-234-004	Caster, Locking (1)	\$49
5. A-4060-000	Cylinder Yoke "T" Handle (1)	\$42
6. PA-1182-000	E-Block Handle	\$34
7. A-2508-003	Breathing Circuit Hook	\$47
8. 64900422	N ₂ O E-Stand Pressure Gauge	\$92
9. 64900423	O ₂ E-Stand Pressure Gauge	\$92
* A-3399-000	Yoke Gasket Washer (1)	\$3
* PA-1185-000	Cylinder Wrench with Chain	\$16
* A-4434K	Check Valve Repair Kit (1)	\$101
* A-4544-000	Post Thumb Screw Assembly	\$9
* 649004C	Pressure Gauge Cover** (threaded)	\$55
* 649004RC	Pressure Gauge Cover** (snap on)	\$55

TALL E-STAND MOBILE CART PARTS

10. C-1738-001	Tall E-Stand E-Block Assembly (for 5 star base)	\$3,029
11. A-3372-000	Tall E-Stand Inner Post Assembly (with mounting stud)	\$179
12. B-1883-001	Tall E-Stand Post / Tube Assembly	\$373
13. 8003	O ₂ Hose, 3 ft, DISS / DISS	\$180
14. 8503	N ₂ O Hose, 3ft, DISS / DISS	\$180

SHORT E-STAND MOBILE CART PARTS

15. C-1738-001	Short E-Stand E-Block Assembly (for 5 star base)	\$3,029
16. B-4669-000	S Bracket Assembly	\$139
17. A-4052-000	Short E-Stand Inner Post Assembly	\$196
18. B-4668-000	Short E-Stand Post / Tube Assembly	\$373
19. 8082	O ₂ Hose, 2 ft., DISS / DISS w/ 90° Angle Elbow	\$225
20. 8582	N ₂ O Hose, 2 ft., DISS / DISS w/ 90° Angle Elbow	\$225

MOBILE STAND PARTS

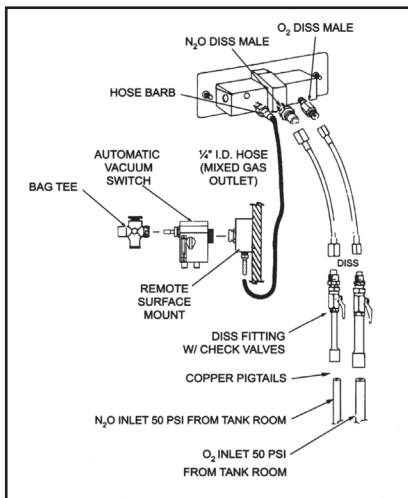
21. B-1883-000	Compact Mobile Stand Post / Tube Assembly (2040)	\$302
* B-1883-001	Tall Mobile Stand Post / Tube Assembly (2042)	\$373
22. PA-1313-000	Mobile Stand Inner Post Knob Screw	\$21

*Part not shown

**4RC part used on all E-blocks w/ serial starting after:

• 2045-3: 5425 • 2045-SHORT3: 2095 • SENTRY: 1675

Flush Mount Flowmeter Accessories



FLEXIBLE INSTALLATION

STOCK NO.	DESCRIPTION	
PA-450-1-001	1/4" ID Green O ₂ Hose, 20 ft.	\$118
PA-450-1-000	1/4" ID Green O ₂ Hose, 10 ft.	\$90
A-2633-000	Through Wall Adapter Assy. for Bag Tee	\$227
A-1679	Remote Surface Mount for Bag Tee Assembly	\$221
B-2460-KIT	Pre-Install Kit – Piped Outlet Connection, O ₂ and N ₂ O	\$350
B-2460-003	O ₂ Piped Outlet Connection, DISS Check Valve	\$181
B-2461-003	N ₂ O Piped Outlet Connection, DISS Check Valve	\$181
PA-1501-000	O ₂ DISS Check Valve Assembly for -003	\$122
PA-1502-000	N ₂ O DISS Check Valve Assembly for -003	\$122
A-2508-000	Rubber Goods Hook	\$54
P1407A	Bag Tee Assembly	\$331
P1407QD	Porter Bag Tee Assembly – Quick Disconnect	\$421
8008	O ₂ DISS / DISS Hose, 8ft.	\$205
8508	N ₂ O DISS / DISS Hose, 8ft.	\$205

ACCESSORIES

STOCK NO.	DESCRIPTION	
B-4988	Bezel Mounting Bracket for MXR-1 and MXR-D (For MXR-D – new power supply required)	\$174

GAS SUPPLY FITTINGS ONLY

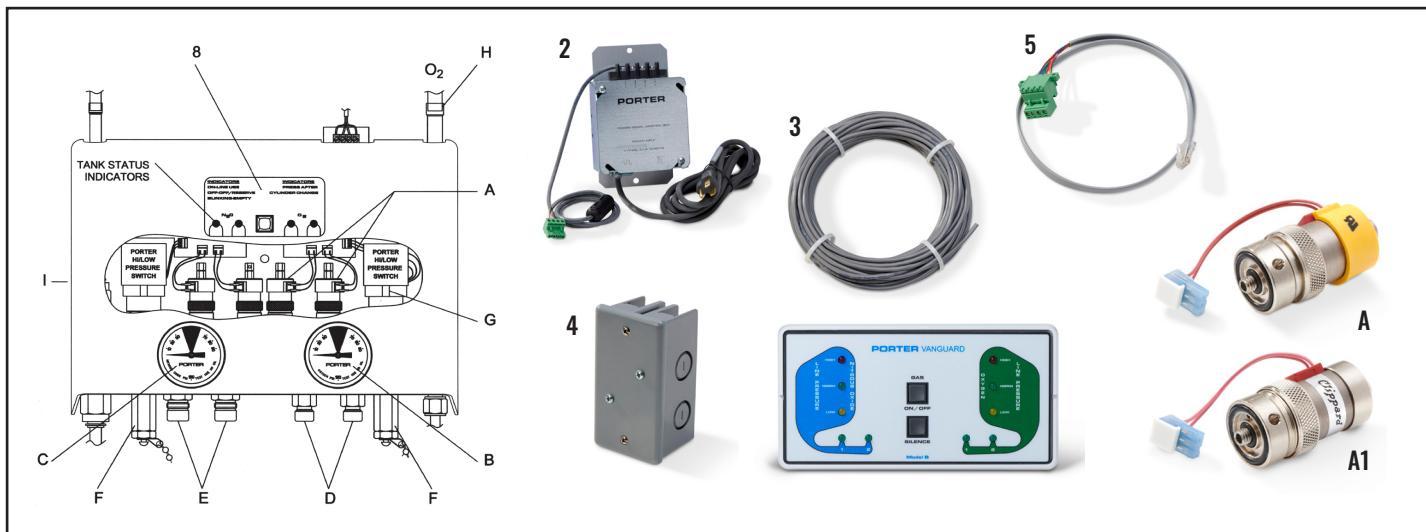
STOCK NO.	DESCRIPTION	
A-1675	Porter O ₂ DISS / Male DISS Fitting	\$140
PA-866-000	O ₂ DISS / NCG (Chemetron) Fitting	\$174
PA-864-000	N ₂ O DISS / NCG (Chemetron) Fitting	\$174
PA-867-000	O ₂ DISS / Puritan (McKesson & Fraser Harlake) Fitting	\$174
PA-865-000	N ₂ O DISS / Puritan (McKesson & Fraser Harlake) Fitting	\$174
PA-927-000	O ₂ DISS / Schrader Twist Fitting	\$186
PA-928-000	N ₂ O DISS / Schrader Twist Fitting	\$186
PA-871-000	O ₂ DISS / Oxequip Fitting	\$186
PA-872-000	N ₂ O DISS / Oxequip Fitting	\$186
PA-868-000	O ₂ DISS / Ohio Medical (Matrx) Fitting	\$186
PA-869-000	N ₂ O DISS / Ohio Medical (Matrx) Fitting	\$186
91505068	O ₂ , Matrx (OHIO) Female / 1/4" MNPT	\$365
PA-1362-000	O ₂ DISS F x M 90 Degree Adapter	\$57
PA-1727-000	O ₂ DISS / 90 Degree Swivel Elbow	\$143
PA-1728-000	N ₂ O DISS / 90 Degree Swivel Elbow	\$143

GAS SUPPLY TUBING

STOCK NO.	DESCRIPTION	
B-1329-5	Porter Duplex Hose, O ₂ / N ₂ O, Male DISS / Porter, 5ft.	\$370

SPECIAL ORDER ALL SALES FINAL

Vanguard Manifold and Zone Valve Parts



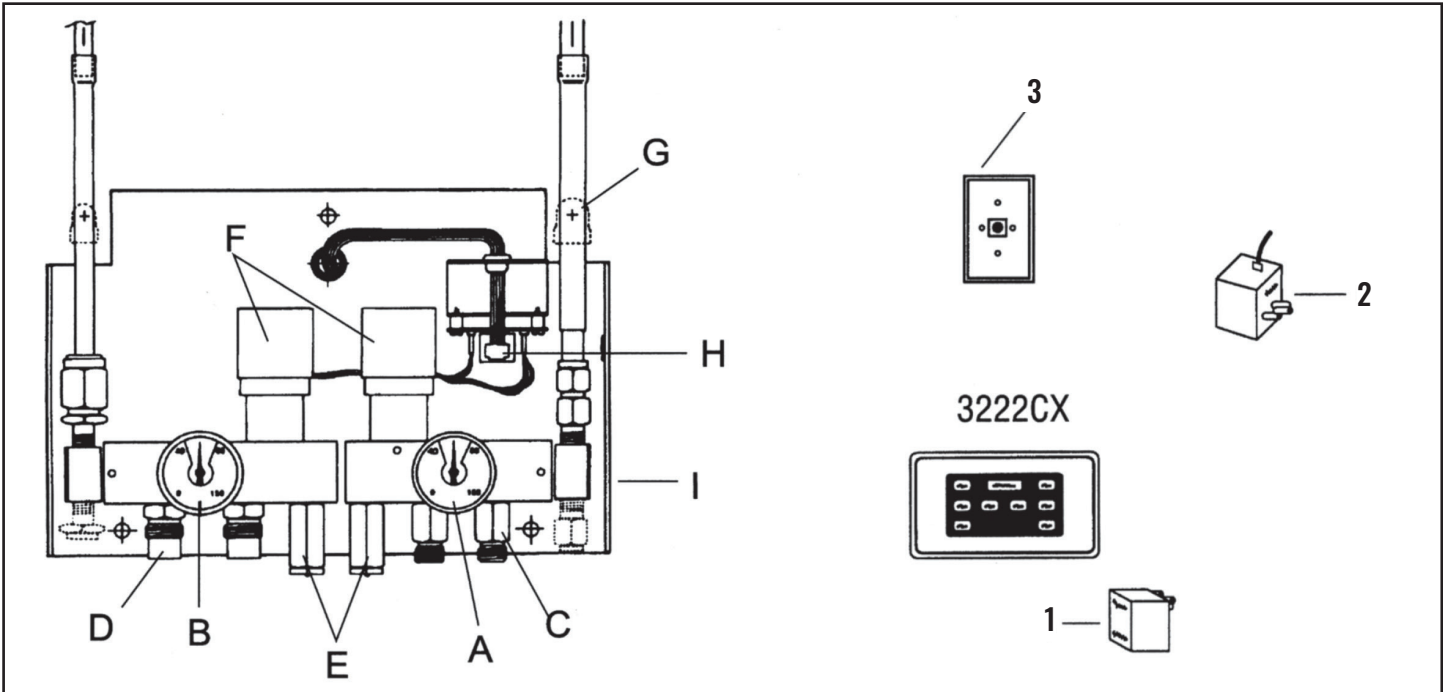
STOCK NO.	DESCRIPTION	
A. A-2521-001	Electric Pneumatic Solenoid – Yellow Band	\$177
A1. A-4258-000	(Normal Open) model No & NOHF – Silver Band	\$173
B. PA-1433-000	O ₂ Gauge 0-150-psi	\$93
C. PA-1433-001	N ₂ O Gauge 0-150-psi	\$93
D. B-1322	O ₂ DISS Check Valve Assembly	\$102
E. B-1323	N ₂ O DISS Check Valve Assembly	\$102
F. B-1324	Pressure Relief Valve Assembly	\$129
G. C-394-001	Pressure Switch Assembly	\$339
H. A-2144	Diss / Copper Pigtails (straight) Oxygen - 1/2 O.D. copper x DISS O ₂ female Nitrous Oxide - 3/8 O.D. copper x DISS N ₂ O female	\$173
1. A-4558-000	Molded Plastic Vanguard Manifold Cover Complete	\$193
2. C-1648-000	Power Supply	\$311
3. KA18028-020	75ft PVC Cable, #22 AWG, 4 Conductor for Vanguard	\$232
KA18028-021	75ft Teflon Cable #22 AWG, 4 Conductor for Vanguard	\$431
KA18028-000	PVC Cable, #22 AWG, 4 Conductor for Vanguard - PER FOOT-CUSTOM LENGTH	\$4/ft.
KA18028-001	Teflon Cable, #22 AWG, 4 Conductor for Vanguard - PER FOOT-CUSTOM LENGTH	\$5/ft.
3a. KA11657-000	Terminal Block	\$40
4. B-1811-000	Concealed Interconnect Assembly for Wall Alarm	\$214
5. 5700-EZ	Cable Assembly	\$84
7. A-2522-000	Signal Interconnect Assembly for Desk Alarm	\$218
8a. A-3381-001	Vanguard Manifold PC Board Assembly Only(model "A" only)	\$1,098
8b. A-3381-003	Vanguard Manifold PC Board Assembly Only (model No & NOHF & NOHF-1)	\$1,066
PA-514-000	Oxygen Pipeline Label, vinyl	\$3
PA-515-000	Nitrous Oxide Pipeline Label, vinyl	\$3
C-1440-001	9000-2 Vanguard Zone Valve Pressure Switch Assembly	\$792
5700-100P	100' Plenum Modular Cable	\$418
9000-FACEPLATE	9000 – Faceplate Assembly	\$208

Matrx Manifold Retrofit Elbows

B-5496-000	N ₂ O Elbow	\$90
B-5497-000	O ₂ Elbow	\$90

See page 32 for additional Vanguard Manifold parts.

Sentinel Manifold and Zone Valve Parts



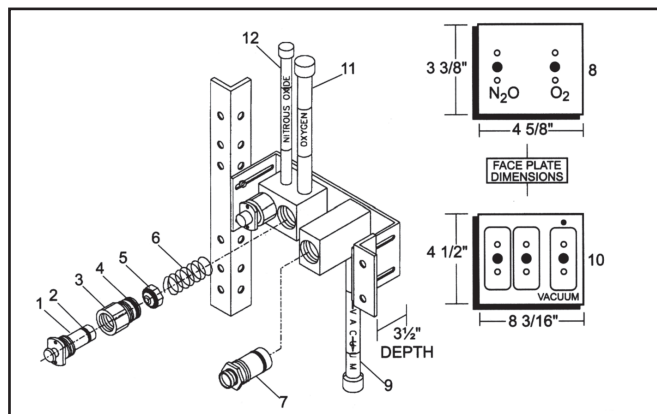
STOCK NO.	DESCRIPTION	
A. PA-1433-000	O ₂ Gauge, 0-150 psi	\$93
B. PA-1433-001	N ₂ O Gauge, 0-150 psi	\$93
C. B-1322	O ₂ DISS Check Valve Assembly	\$102
D. B-1323	N ₂ O DISS Check Valve Assembly	\$102
E. B-1324	Pressure Relief Valve Assembly	\$129
F. C-394-000	Pressure Switch Assembly	\$347
G. A-2144	DISS/Copper Pigtails (straight)	\$173
	Oxygen-1/2 O.D. copper x DISS O ₂ female	
	Nitrous Oxide- 3/8 O.D. copper x DISS N ₂ O female	
H. A-2041	Sentinel Interconnect Board Assembly	\$111
I. D-160-PL	Molded Plastic 3222MX Cover	\$91
5775	75' Sentinel Modular Connector Cable(standard)	\$220
5700-150	150' Sentinel Modular Connector Cable(special order)	\$297
5700-200	200' Sentinel Modular Connector Cable(special order)	\$335
5700-100P	100' Plenum Modular Connector Cable (custom – no returns)	\$418
1. C-1783-000	Power Supply for Wall Sentinel	\$206
2. C-1783-001	Power Supply for Desk Sentinel	\$206
3. A-2083	Modular Cable Connector Box	\$229
PA-636	Sentinel Light Bulb All Glass	\$9
PA-571	Sentinel Light Bulb Old Bayonet Style	\$14
C-1440-000	Sentinel Zone Valve Pressure Switch Assembly	\$792
9000-FACEPLATE	9000 – Faceplate Assembly	\$208

Outlet Station Replacement Parts

For Models 6100-1, 6200-1, 6300-1, 6256-1, 6256-3, 6258-1, 6255-1

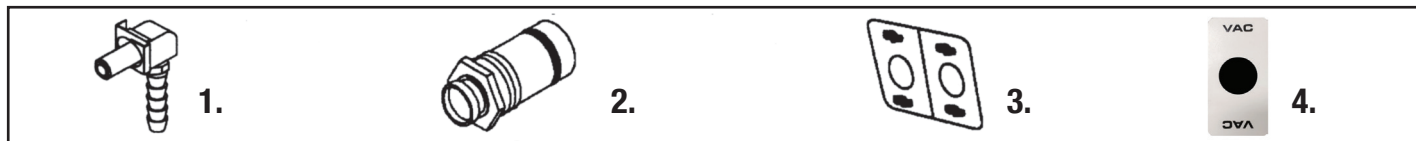
PORTER Instrument advises replacing both N₂O and O₂ check valves when servicing Outlet Stations.

Numbers 3 through 6 represent the Secondary Check Valve Assembly. This valve is only in use when the Primary Check Valve is removed for servicing and will NOT remedy a leaking outlet station.



STOCK NO.	DESCRIPTION	
6200K	Outlet Station Repair Kit Includes N₂O, O₂ primary check valves and O-rings for 6200, 6256, 6300	\$221
1. *A-1655-A	O ₂ Primary Check Valve Assembly for 6100, 6200, 6256, 6300	\$112
*A-1655-B	N ₂ O Primary Check Valve Assembly for 6200, 6256, 6300	\$112
6200-1K	Outlet Station Repair Kit Includes N₂O, O₂ primary check valves and O-rings for 6200-1, 6256-1, 6256-3, 6300-1, 6258-1, 6255-1	\$174
1. A-2689-000	O ₂ Primary Check Valve Assembly(slotted back)	\$91
A-2690-000	N ₂ O Primary Check Valve Assembly(slotted back)	\$91
2. PB-102-104NE	014 O-ring for O ₂ or N ₂ O Primary Check Valve, outside	\$5
3. B-2237-000	O ₂ Cartridge Body	\$45
B-2275-000	N ₂ O Cartridge Body	\$45
4. PB-102-215	016 O-ring	\$5
5. A-2699-000	Secondary Check Valve Assembly with O-ring	\$32
6. PB-115-63SS	Compression Spring	\$5
7. B-1231-003	Vacuum Check Valve Assembly	\$101
A-3356-000	5600-3 Vacuum, Face Plate Kit	\$82
8. B-2568-000	6200-1 Dual, Face Plate Kit	\$68
9. LB-119-000	Vacuum Pipeline Label	\$3
B-2737-001	Single O ₂ face Plate Kit (6100-1)	\$106
10. B-2737-003	6256-3 Triple, Face Plate Kit	\$141
B-2737-004	6255-1 Triple Face Plate Kit	\$141
B-2737-005	6258-1 Faceplate and Screws	\$141
B-2737-006	6258-1B Faceplate and Screws	\$137
11. PA-514-000	O ₂ Pipeline Label Vinyl	\$3
12. PA-515-000	N ₂ O Pipeline Label Vinyl	\$3

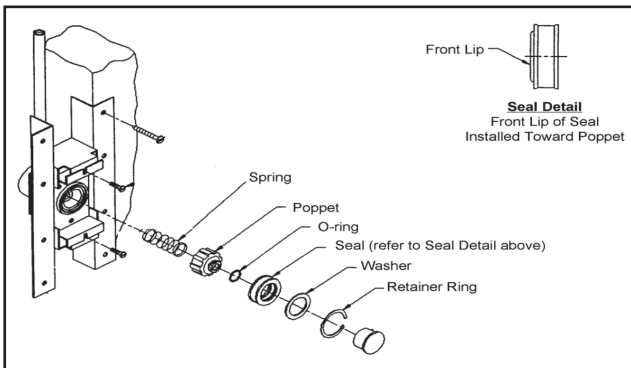
Note: Primary and secondary check valve assemblies marked () above are for outlet stations manufactured prior to February 1986 only.



5602-RK	In-Line Vacuum to 6256-1 Retrofit Kit includes:	\$264
1. 5602	Vacuum Quick Connect	\$169
2. B-1231-003	New Notched Vacuum Check Valve Assembly	\$101
3. LB-169	O ₂ / N ₂ O Label	\$5
4. LB-343-000	Vacuum Label	\$5



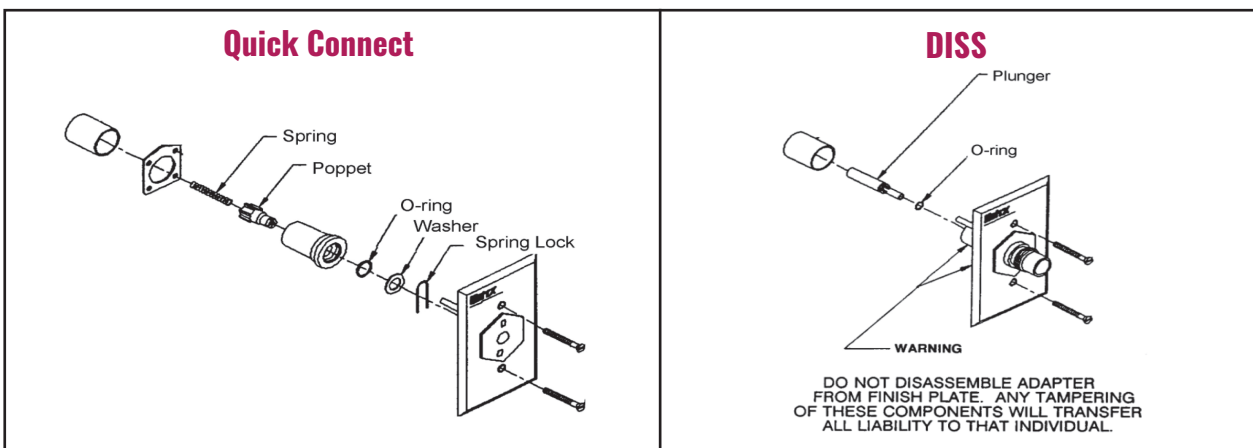
Rough-in Repair Kits for Matrix (Ohio Medical style) Medical Gas Outlets



REPAIR KIT FOR:	PART NUMBER	PRICE
Rough-in Kit for N ₂ O, O ₂ , and Air	91309044	\$25
Rough-in Kit for Vacuum (WAGD only)	91309045	\$26
Rough-in Kit for N ₂ Only	91309043	\$45



Finish Plate Repair Kits for Matrix (Ohio Medical style) Q D and DISS Medical Gas Outlets



PART NUMBER	PRICE
91309042	\$16
REPAIR KIT FOR: FINISH PLATE	
Quick Connect N ₂ O, O ₂ , Vacuum, WAGD & Air	

PART NUMBER	PRICE
91309046	\$49
DISS O ₂	
91309047	\$47
DISS Vacuum, WAGD	
91309048	\$63
DISS Air, N ₂ or N ₂ O	

Porter Reliant Parts

021008	Bacterial Filter	\$190
021206	Door Gasket	\$190
0230050	Cleaning Tablets (10)	\$135
105320	Water Filter	\$35
105321	Filter Holder	\$91
105363	Water Dam – Orange	\$40

Reliant and Purity systems have been discontinued. Parts (other than for routine maintenance) subject to availability. Call for more information.

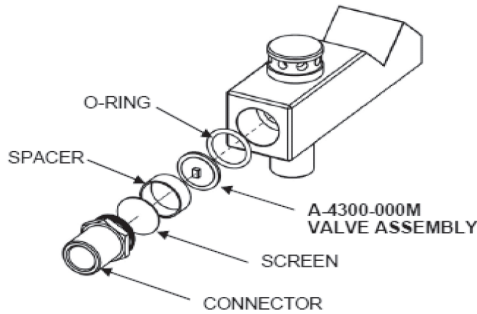
Matrix Non-Rebreathing Valve Replacement And Instructions



Part Number
A-4300-000M

Price
\$49

MDM / RA Bag Tee

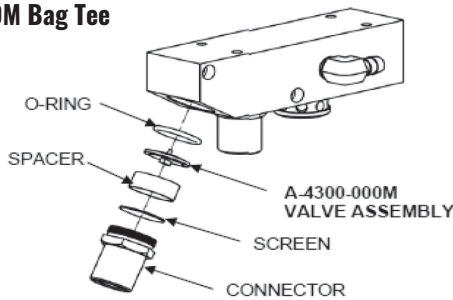


Retrofit Instructions for A-4300-000M Kit

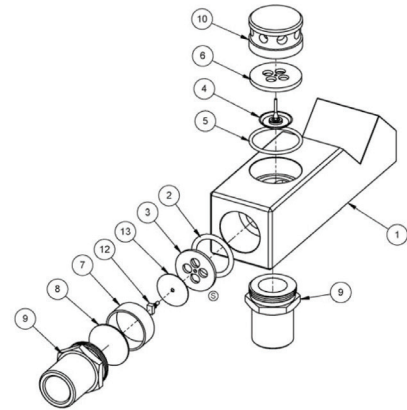
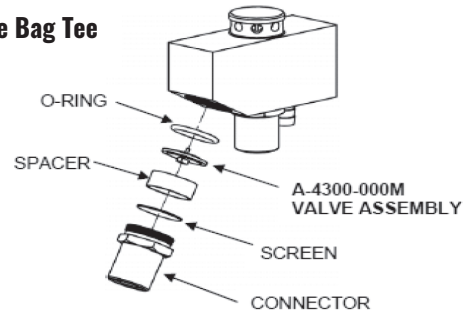
Instructions:

1. Unscrew the connector from the block.
2. Remove the screen, spacer and the old Non-Rebreathing Valve Assembly.
3. Discard the OLD Non-Rebreathing Valve Assembly.
4. Insert new A-4300-000M Valve Assembly. Orientate as shown.
5. Re-Insert Spacer.
6. Re-Insert Screen.
7. Re-Screw in the Connector.

DMDM Bag Tee



Remote Bag Tee



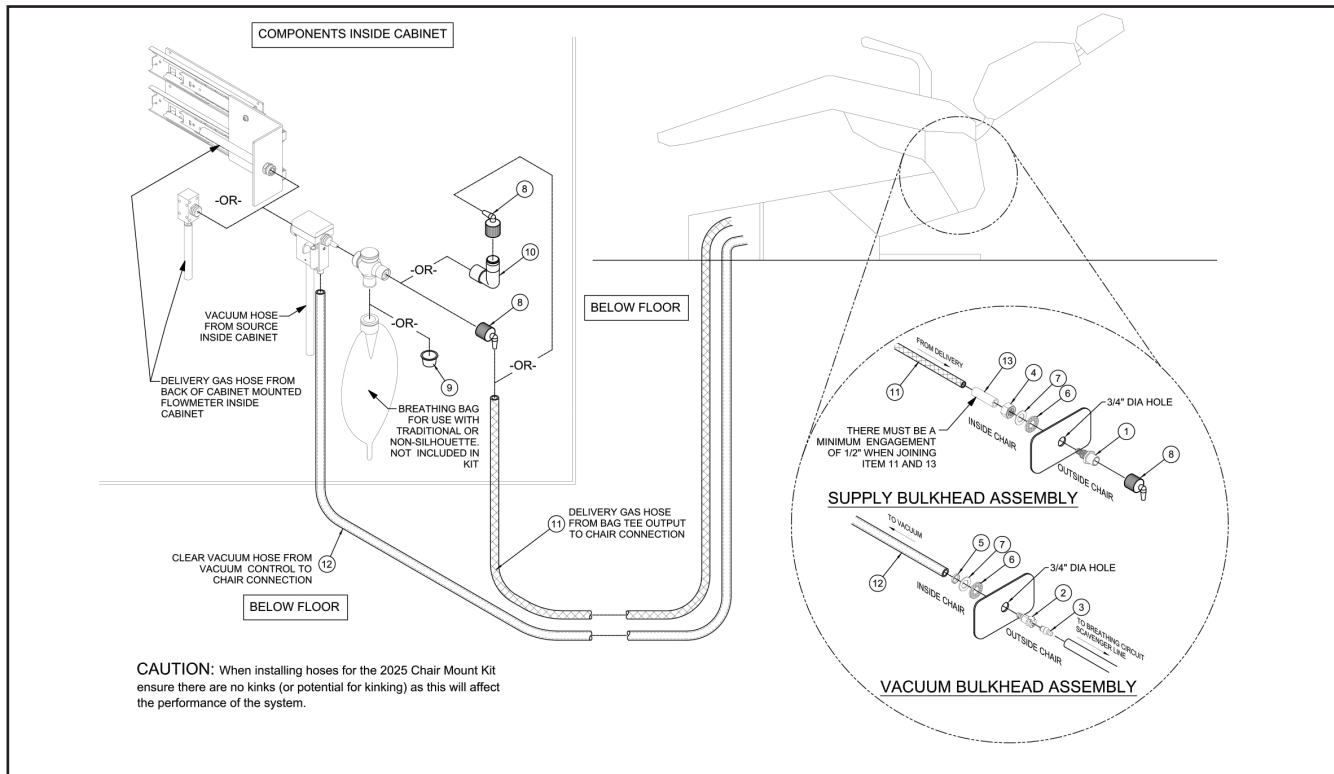
MDM & RA Outlet Housing Spare Parts

Item #	Part Number	Description	Price
1	30017600 – Complete Housing – includes all parts listed below (1-10)	Outlet Housing	\$294
2	63200129	O-ring	\$2
Assembly consisting of 3, 12, & 13	A-4300-000M	Non-Rebreathing (NRB) Valve Assembly	\$49
4	61302500	Mushroom Valve	\$36
5	63200128	O-ring	\$2
6	20178602	Air Inlet Adapter	\$45
7	10431102	Spacer	\$10
8	65941800	Screen	\$5
9	10221600	Breathing Bag & Fresh Gas Connector	\$54
10	20132800	Air Inlet Valve Cap	\$30

Porter 2025 Chair Mount Kit

\$399

Schematic and Parts:




2025 Chair Mount Kit consists of the following:

- | | | | |
|---|------------------------|--|------------------------|
| 1. B-5568-000
Bulkhead Connector | QTY: 1 \$61 | 9. 62905510W
Caplug (12), White | QTY: 1 \$15 |
| 2. PA-1633-000
Bulkhead Coupler, Valved
(includes PA-1634-000) | QTY: 1 \$37 | 10. 1571-22
Connector (22mm) M/F,
90° Elbow | QTY: 1 \$40 |
| 3. PA-1635-000
Unvalved Nipple | QTY: 1 \$14 | 11. PA-1640-001
Hose, Braided, 5/16" ID, 25' L
Hose, Clear w/ White Braid | QTY: 1 \$148 |
| 4. PA-1636-000
Hex Nut, Nylon, 3/4-10 | QTY: 1 \$14 | 12. PA-679-CLR25
Vacuum Tubing, 9/16 OD, 3/8 ID,
PVC, Clear, 25' L | QTY: 1 \$135 |
| 5. PA-1634-000
Coupler Nut | QTY: 1 \$14 | 13. A-4484-000
Tubing, 0.625 OD-3/8 ID, Grey,
2" L | QTY: 1 \$13 |
| 6. PA-1637-000
Washer, Sealing, Neoprene | QTY: 2 \$14 ea. | 14. PA-1639-000
Hole Plug, 3/4", White | QTY: 2 \$13 ea. |
| 7. PA-1638-000
Washer, Flat, Nylon | QTY: 2 \$14 ea. | | |
| 8. B-5603-000
Elbow, 22mm x 7mm | QTY: 2 \$7 ea. | | |

Flush Mount Flowmeters Mounted



Portable E-Cylinder System vs. Central System Gas Cost Comparison*

Cylinder Size	Gas	Cylinder Capacity (Liters)	Cost Per Cylinder	Cost Per Cylinder	Gas Delivery	1/2 Hour Procedure			Total Gas Usage		Cost	Patients Per Week	Weeks Per Year	Total Procedures	Total Gas Cost
						Total Minutes	Gas	LPM	Total Gas LPM	Gas					
E	O2	625	\$25.00	\$0.040	Pre-O2	5	O2	6	30	O2	150				
E	N2O	1590	\$45.00	\$0.028	Procedure	30	N2O	3	90	N2O	90				
					Procedure	30	O2	3	90						
					Post-O2	5	O2	6	30	E Cylinder Tank 1/2 Hr Procedure	\$8.55	10	50	500	\$4,273.58
												20	50	1000	\$8,547.17
H	O2	7985	\$35.00	\$0.004	Pre-O2	5	O2	6	30	O2	150				
H	N2O	16057	\$87.00	\$0.005	Procedure	30	N2O	3	90	N2O	90				
					Procedure	30	O2	3	90						
					Post-O2	5	O2	6	30	H Cylinder Tank 1/2 Hr Procedure	\$1.15	10	50	500	\$572.56
												20	50	1000	\$1,145.12
											10 Uses Per Week =	Gas Savings	\$3,701.02		
											20 Uses Per Week =	Gas Savings	\$7,402.05		
											Gas Cost Difference Per Procedure		\$7.40		
											Central System Office - ROI Example Nitrous Fee \$ 50.00 Revenue \$ 50,000 Profit \$ 48,855 Nitrous Fee \$ 75.00 Revenue \$ 75,000 Profit \$ 73,855				
											Insurance Billing Code: D9230				
															



The Trusted Name In Nitrous

Porter Instrument 215-723-4000
 www.PorterInstrument.com/dental
 245 Township Line Rd
 Hatfield, PA 19440
 porternitrous@parker.com

*Disclaimer:
 Cost per cylinder may vary. Above pricing does not take into consideration additional delivery and rental fees.
 Gas delivery protocol is an example only. Individual practitioner must determine proper administration protocol.

FLUSH MOUNT
FLOWMETERS

UPRIGHT
FLOWMETERS

ORAL
SURGERY

MANIFOLD
SYSTEMS

OUTLETS
AND HOSES

BREATHING
CIRCUITS

MISCELLANEOUS
PARTS

PORTER

NITROUS SYSTEMS

The Trusted Name In Nitrous

Porter Instrument

245 Township Line Rd. Hatfield, PA 19440

Phone: 215-723-4000 or 888-723-4001

Fax: 215-723-5106

Email: porternitrous@parker.com

Website: www.PorterInstrument.com/dental

