

PORTER

The Trusted Name In Nitrous

Dental Products Catalog

Effective February 1, 2024

**NEW &
IMPROVED
SILHOUETTE**



Phone: 888-723-4001

Web: www.porterinstrument.com/dental



PORTER INSTRUMENT

Featuring

Porter and Matrix Brands



Repair and Trade In Programs

All current model flowmeters under 20 years of age and E-stands under 15 years of age can be repaired. Contact Porter Customer Service or your Dental Dealer for information.

Repair Qualifying Serial Number Ranges:

Porter Model Flowmeters

- 1000 No repairs
- 1100 Serial Numbers 1002 and higher
- 2000 No repairs
- 2000-OS No repairs
- 2050/2055 No repairs
- 2065 No repairs
- 2065W All Serial Numbers 2435 and higher
- 3000 All Serial Numbers 7950 and higher
- 3000-OS Serial Numbers 1007 and higher
- 3065W All Serial Numbers
- 4065 All Serial Numbers
- 6465 All Serial Numbers

Matrix Model Flowmeters

- MDM Model 94500150 – All
Model 94500011 – 37015 and higher
- RA No repairs
- DMDM Black Faceplate – No repairs
- DMDM White Faceplate – All Serial Numbers

Manifold Systems

- MXV No repairs – call for trade in
- Matrix No repairs – call for trade in
- Vanguard Call
- Sentinel Call

E-Stand Mobile Carts

- 2045E No repairs
- 2045-1 No repairs
- 2045-2 Serial Numbers 13060 and higher
- 2045-3 Serial Numbers 2043-1000 and higher
- 2045-3CA Serial Numbers 204C-1000 and higher
- 2045-3ISO Serial Numbers 20IS-1000 and higher

Trade In Program

- Any brand flowmeter (Porter, Matrix, Accutron, Belmed, A-dec, Veriflo, McKesson, etc) qualify
- Any condition
- \$600 Retail credit towards purchase of any Porter or Matrix flowmeter. Cannot combine with any other offer.
- Contact Porter for more information

All returns must be assigned an ATR number by Porter customer service.

Contact Porter: 215-723-4000 or porternitrous@parker.com

Table Of Contents

FLUSH MOUNT FLOWMETERS	4-15	OUTLETS AND HOSES	36-39
Porter MXR-D	6-7	Porter Quick Connect Style Outlets	36
Porter MXR-1	8-9	Matrx Quick Connect and DISS Style Outlets	37
Porter Digital MDM	10-11	Gas Supply and Vacuum Hoses	38-39
Matrx D-MDM	12-13		
Porter Chair Mount Options	14	BREATHING CIRCUITS AND NASAL HOODS*	40-48
		Silhouette Low Profile Nasal Mask	40-41
UPRIGHT FLOWMETERS	15-25	Porter Breathing Circuits and Vacuum Control	42
Porter MXR	16-17	Porter Nasal Hoods	43
Porter Sentry Sedate	18-19	Porter Breathing Circuit Accessories And Parts	44-45
Matrx MDM	20	Matrx Breathing Circuits, Nasal Hoods, and Vac Control	46
Matrx D-MDM	21	Matrx Scavenger Parts	47
Porter Standard	22	Matrx DynoMite Single-Use Nasal Hoods	48
Upright Flowmeter Mount Options	23		
Mobile Cart Options	24	MISCELLANEOUS PARTS	49-59
Porter MXR Mounting Examples	25	MXR, Standard Flowmeter and AVS Parts	49
		Mobile Stand Replacement Parts	50
ORAL SURGERY SYSTEMS / OXYGEN THERAPY	26-31	Flush Mount Flowmeter Accessories	51
Porter Oral Surgery Flowmeter and Accessories	26-27	Vanguard Manifold System Parts	52
Matrx Oral Surgery Packages and Accessories	28	Sentinel Manifold System Parts	53
Porter Oral Surgery Equipment Installed	29	Outlet Station Replacement Parts	54
Surgical Suction and Recovery Room	30	Rough-in Repair Kits	55
Oxygen Therapy and Emergency Oxygen	31	Finish Plate Repair Kits	55
		Matrx Non-Rebreathing Valve Replacement & Instr.	56
MANIFOLD SYSTEMS	32-35	MDM & RA Outlet Housing Spare Parts	56
Vanguard Manifold Systems	32	Porter Chair Kit (2025) Parts	57
Sentinel Manifold Systems	33	Flush Mount Installation Images	58
Nitrogen Manifold and Accessories	34	Gas Cost Comparison Chart	59
Tank Room Layout	35		

Flush Mount Flowmeters

Porter Instrument offers the most complete selection of Flush Mount flowmeters in the dental industry, resulting in a perfect flowmeter solution for every office.

Porter MXR-D: Unique, hybrid digital and analog technology! (page 6)

- Advanced technology - the only flowmeter to combine both Digital and Analog features
- LED digital display and analog glass flow tubes
- Brightly lit display and real time flow visualization



Porter MXR-1: Built for precision and reliability! (page 8)

- The gold standard for nitrous oxide delivery systems
- Precision analog glass flow tubes
- Built for reliability and durability



Porter Digital MDM: The smallest flowmeter faceplate in the industry! (page 10)

- The perfect solution when space is limited
- Remote digital faceplate control panel for easy installation
- Multiple mounting options



Matrix D-MDM: Compact, digital, easy to operate! (page 12)

- Compact digital flowmeter
- Two bezel options – with and without oxygen quick connect



Flush Mount Flowmeters

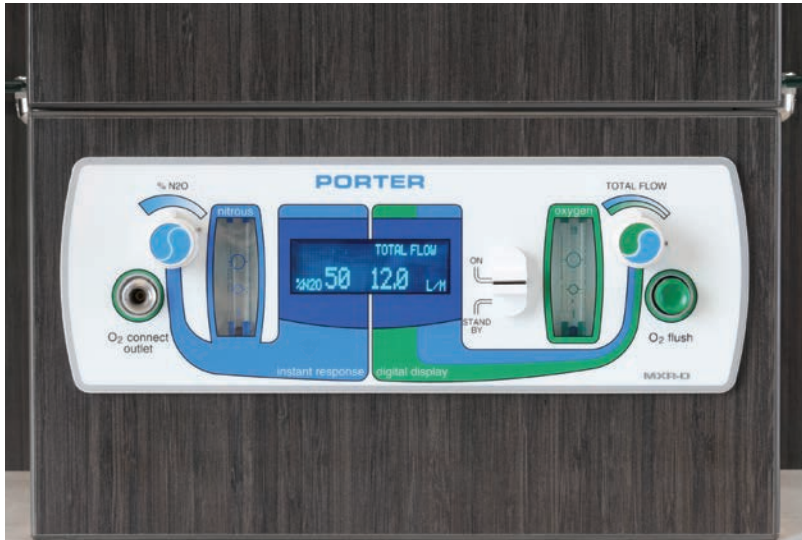
Why choose “Flush-Mount” flowmeters vs. “E-Cylinder Portable”?

- Ergonomics
- Ease of use
- Readiness for use
- Aesthetics
- Free up floor space
- Cost of use
(save >\$6 per patient on gas cost alone)
- See page 59 for cost savings example

How to get started:

- Select a flush mount flowmeter package
- Select a Bag Tee mounting option (if necessary)
- Select a Manifold (and Zone Valve if required)
- For early construction order Pre-Install Kits for ALL operatories - including future operatories

See additional flush mount installations on page 58.



Porter MXR-D Flush Mount Flowmeter

Package Options:

A

4465C-AV Package

- MXR-D Flowmeter
- AVS-5000
- Porter Breathing Circuit
- A-1679 Bag Tee Mount
- 8' O2 and N2O DISS-to-DISS Hoses
- Pre-Install Kit

B

4465C Package

- MXR-D Flowmeter
- In-Line Vacuum Control
- Porter Breathing Circuit
- A-1679 Bag Tee Mount
- 8' O2 and N2O DISS-to-DISS Hoses
- Pre-Install Kit



Our most advanced digital flowmeter offers:

- The best of both worlds: Analog/Digital combination flowmeter
- Real time flow confirmation with glass flow tubes plus a brightly lit LED screen
- Audible and visual alarms
- Oxygen quick connect conveniently located on the faceplate

Dimensions: 12 19/32" x 4 1/4" x 4 5/16"

Cut-Out Dimensions: 11" x 3 5/8"

Weight: 8 lbs.

4065D **\$5,220**

PORTER MXR-D FLOWMETER ONLY (power supply not included)

MXR-D POWER SUPPLY

A-4243-000 Cabinet Mount **\$409**

A-4244-000 Wall Mount **\$1,176**



For Wall Mount installation:

B-4988 Wall Bezel.....**\$169**

A-4244-000 Wall Mount Power Supply – Must Be Substituted

Please contact Porter for wall installation requirements.

Add "-S" to the end of a part number to receive the package with Silhouette in lieu of the 5155 breathing circuit. Example: 4465C-AV-S

A 4465C-AV **\$7,812**

PORTER MXR-D WITH AUTOMATIC VACUUM SWITCH PACKAGE

Flowmeter Package includes MXR-D flowmeter, AVS-5000 Vacuum Control, 5155-3AV Breathing circuit, Pre-Install Kit, Bag Tee mount, 8' O₂ and N₂O DISS-to-DISS hoses, and power supply for cabinet installations

4465C-AV-LPI**\$7,472**

B 4465C **\$7,317**

PORTER MXR-D WITH IN-LINE VACUUM CONTROL PACKAGE

Package includes: MXR-D flowmeter, 5155-1 Breathing Circuit, Pre-Install Kit, Bag Tee mount, 8' O₂ and N₂O DISS-to-DISS hoses, and power supply for cabinet installations

4465C-LPI**\$6,977**

C B-2460-KIT **\$340**

PRE-INSTALL KIT

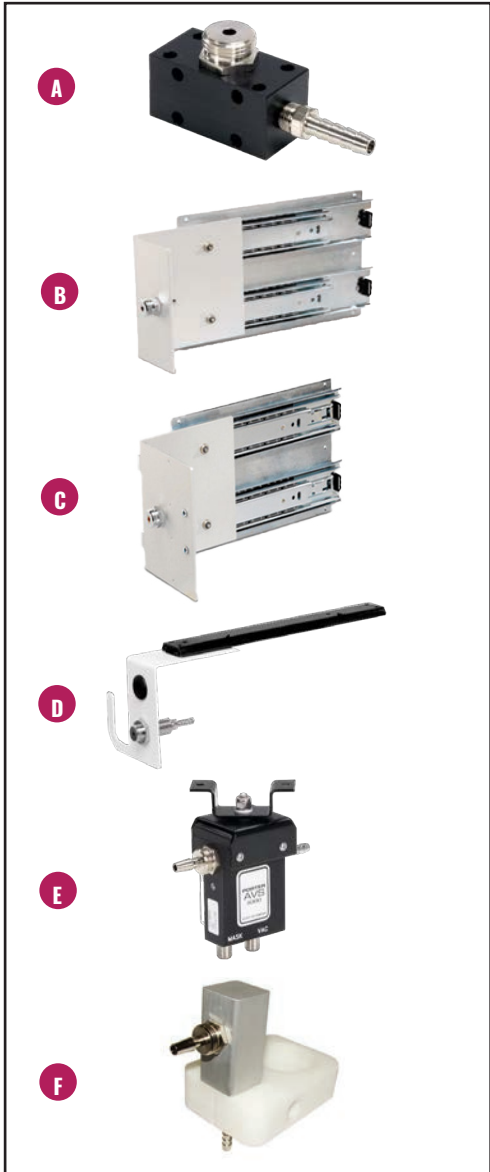
Includes oxygen and nitrous oxide DISS-piped outlet connections with check valves.

**If ordering in advance of flowmeter packages add LPI (Less Pre-Install) to future flowmeter package order – example: 4465C-LPI*

Order Pre-Install Kits to outfit future nitrous operatories.

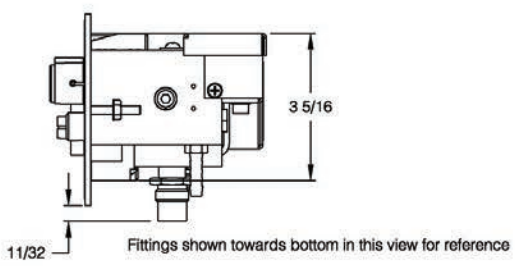
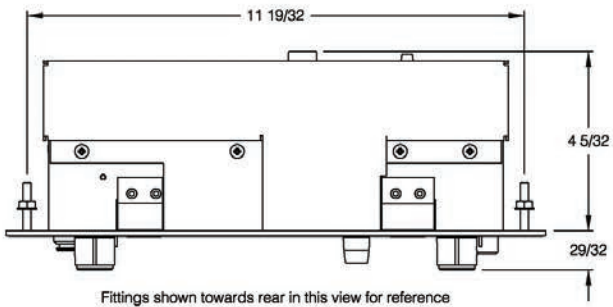
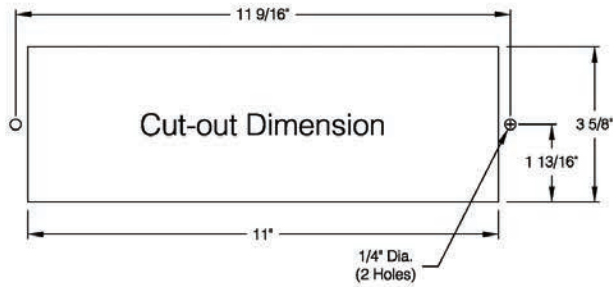
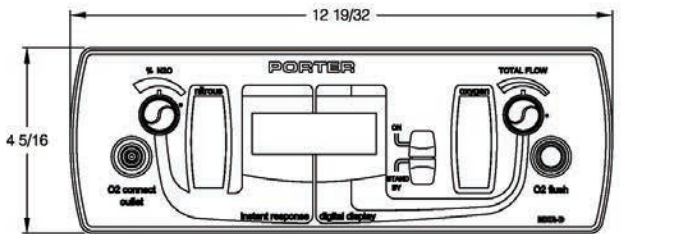
SEE NEXT PAGE TO SELECT BAG TEE MOUNTING OPTION (NOT INCLUDED IN ABOVE PACKAGES)

Porter MXR-D Flowmeter Bag Tee Mounts



With the exception of A-1679 (Bag Tee Mount) – all products listed below are not part of any flowmeter “package” and must be ordered separately.

- A **A-1679** **\$215**
BAG TEE MOUNT
 (Included with all packages)
- B **2036-4** **\$587**
LEFT OR RIGHT SIDE SLIDE MOUNT
3-1/2” wide for narrow installs
- C **2036-2** **\$587**
LEFT OR RIGHT SIDE SLIDE MOUNT
5” wide with rubber goods hook mounting option
- D **2037-1** **\$590**
UNDER COUNTER SLIDE MOUNT
- E **AVS-5000S** **\$758**
AVS UNDER COUNTER/CHAIR SWIVEL MOUNT
- F **5335** **\$634**
CHAIR/LIGHT POST MOUNT (Bag Tee or AVS)
- 2025 **\$350**
CHAIR MOUNT KIT Not pictured – see pages 14 & 57.
 Order in addition to options A-F.



Porter MXR-1 Flush Mount Flowmeter

Package Options:

- A**
- 3465C-AV Package**
 - MXR-1 Flowmeter
 - AVS-5000
 - Porter Breathing Circuit
 - A-1679 Bag Tee Mount
 - 8' O₂ and N₂O DISS-to-DISS Hoses
 - Pre-Install Kit
- B**
- 3465C Package**
 - MXR-1 Flowmeter
 - In-Line Vacuum Control
 - Porter Breathing Circuit
 - A-1679 Bag Tee Mount
 - 8' O₂ and N₂O DISS-to-DISS Hoses
 - Pre-Install Kit



Add "-S" to the end of a part number to receive the package with Silhouette in lieu of the 5155 breathing circuit.
 Example: 3465C-AV-S



Our most popular analog flush mount flowmeter offers:

- The "gold standard" in nitrous oxide delivery
- Precision glass flow tubes for real time visualization & confirmation of gas flow
- Built for reliability and durability
- Oxygen quick connect conveniently located on flowmeter faceplate

Dimensions: 12 19/32" x 4 1/4" x 4 5/16"
 Cut-Out Dimensions: 11" x 3 5/8"
 Weight: 6.5 lbs.

3065W **\$4,473**
PORTER MXR-1 FLOWMETER ONLY

A	3465C-AV	\$6,659
PORTER MXR-1 WITH AUTOMATIC VACUUM SWITCH PACKAGE		
Flowmeter package includes: MXR-1 flowmeter, AVS-5000 Vacuum Control, 5155-3AV Breathing circuit, Pre-Install Kit, Bag Tee mount, 8' O ₂ and N ₂ O DISS-to-DISS hoses		
	3465C-AV-LPI	\$6,319
B	3465C	\$6,165
PORTER MXR-1 WITH IN-LINE VACUUM CONTROL PACKAGE		
Package includes: MXR-1 flowmeter, 5155-1 Breathing circuit, Pre-Install Kit, Bag Tee mount, 8' O ₂ and N ₂ O DISS-to-DISS hoses		
	3465C-LPI	\$5,825

C **B-2460-KIT** **\$340**

PRE-INSTALL KIT
 Includes oxygen and nitrous oxide DISS-piped outlet connections with check valves.
 *If ordering in advance of flowmeter packages add LPI (Less Pre-Install) to future flowmeter package order.

Order Pre-Install Kits to outfit future nitrous operatories.
SEE NEXT PAGE TO SELECT BAG TEE MOUNTING OPTION
(NOT INCLUDED IN ABOVE PACKAGES)

Porter MXR-1 Flowmeter Bag Tee Mounts



With exception of A-1679 (Bag Tee Mount) – all products listed below are not part of any flowmeter “package” and must be ordered separately.

A A-1679 BAG TEE MOUNT **\$215**
 (Included with all packages)

B 2036-4 LEFT OR RIGHT SIDE SLIDE MOUNT **\$587**
 3-1/2” wide for narrow installs

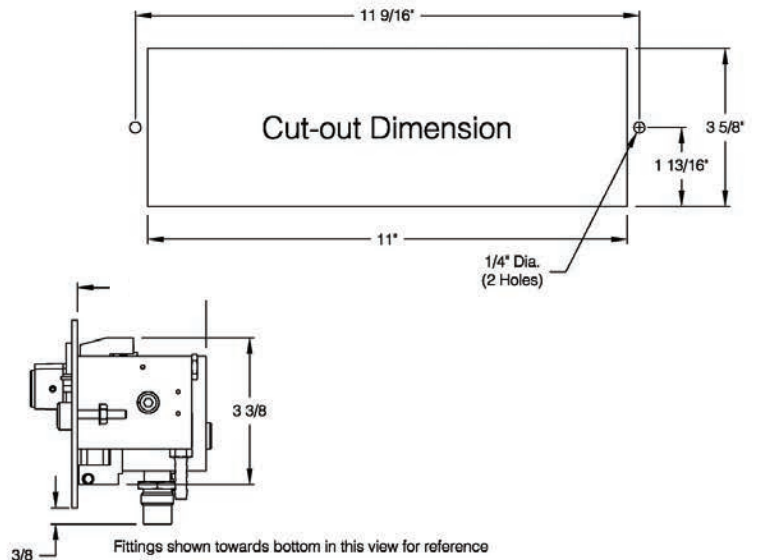
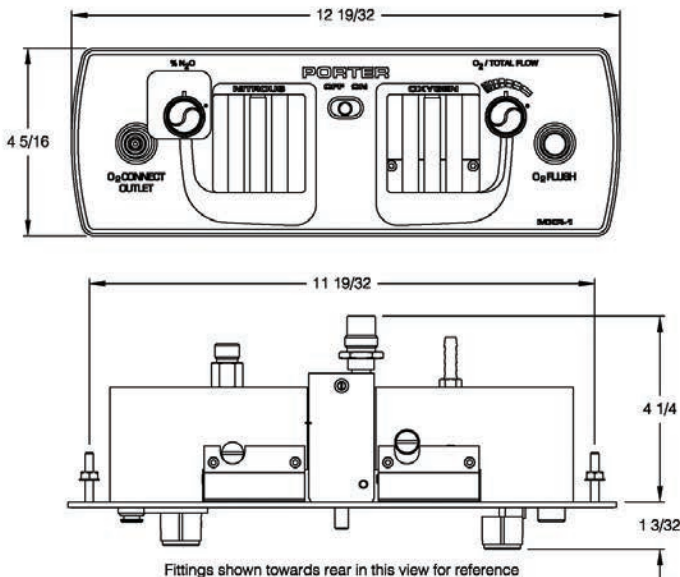
C 2036-2 LEFT OR RIGHT SIDE SLIDE MOUNT **\$587**
 5” wide with rubber goods hook mounting option

D 2037-1 UNDER COUNTER SLIDE MOUNT **\$590**

E AVS-5000S **\$758**
 AVS UNDER COUNTER / CHAIR SWIVEL MOUNT

F 5335 **\$634**
 CHAIR/LIGHT POST MOUNT (Bag Tee or AVS)

2025 **\$350**
 CHAIR MOUNT KIT Not pictured – see pages 14 & 57.
 Order in addition to options A-F.



Porter Digital MDM Flush Mount Flowmeter

Package Options:

A

6465C-AV Package

- Digital MDM Flowmeter
- AVS-5000
- Porter Breathing Circuit
- A-1679 Bag Tee Mount
- 5' O₂ and N₂O DISS-to-DISS Hoses
- Pre-Install Kit

B

6465C Package

- Digital MDM Flowmeter
- In-Line Vacuum Control
- Porter Breathing Circuit
- A-1679 Bag Tee Mount
- 5' O₂ and N₂O DISS-to-DISS Hoses
- Pre-Install Kit

Order Pre-Install Kits to outfit future nitrous operatories.

SEE NEXT PAGE TO SELECT BAG TEE MOUNTING OPTION (NOT INCLUDED IN ABOVE PACKAGES)

Add "-S" to the end of a part number to receive the package with Silhouette in lieu of the 5155 breathing circuit.
Example: 6465C-AV-S



The smallest flush mount flowmeter in the industry!

- Measures only 8" by 3"!
- Simple to install with multiple options including Mounting Kit for Flush, Surface, Wall, or Under Counter/Hutch
- Brightly lit digital display and digital flowtubes
- Audible alarms

Faceplate Dimensions: 7 7/8" x 2 3/4" x 1 1/4"

Control Module Dimensions: 8" x 3" x 5 5/8"

Cut-Out Dimensions: 8" x 3" or 2" Circle (Surface Mount)

Weight: 4.5 lbs

40152601 PORTER DIGITAL MDM FLOWMETER ONLY \$4,703

(Does not include bag tee or power supply)

20150000 DIGITAL MDM POWER CORD ONLY \$114

A 6465C-AV \$6,883

PORTER DIGITAL MDM

W/ AUTOMATIC VACUUM SWITCH PACKAGE

Package includes: Porter Digital MDM flowmeter, 5155-3AV Breathing Circuit w/ AVS-5000 vacuum control, Pre-Install Kit, Bag Tee mount, 5' O₂ and N₂O DISS-to-DISS hoses, and power supply

6465C-AV-LPI\$6,543

6465C-AV-P\$6,883

6465C-AV-P-LPI.....\$6,543

Same package as "A" – but substitutes Porter Pedo Breathing Circuit

B 6465C \$6,386

PORTER DIGITAL MDM W/ IN-LINE VACUUM CONTROL

Package includes: Porter Digital MDM flowmeter, 5155-1 Breathing Circuit, Bag Tee mount, 5' O₂ and N₂O DISS-to-DISS hoses, and power supply

6465C-LPI\$6,046

6465C-P\$6,386

6465C-P-LPI\$6,046

Same package as "B" – but substitutes Porter Pedo Breathing Circuit

C B-2460-KIT PRE-INSTALL KIT \$340

Includes oxygen and nitrous oxide DISS-piped outlet connections with check valves.

*If ordering in advance of flowmeter packages add LPI (Less Pre-Install) to future flowmeter package order – example: 6465C-AV-LPI .

Porter Digital MDM Flowmeter Bag Tee Mounts

With exception of A-1679 (Bag Tee Mount) – all products listed below are not part of any flowmeter “package” and must be ordered separately.



A A-1679 BAG TEE MOUNT **\$215**
(Included with all packages)

B 2036-4 LEFT OR RIGHT SIDE SLIDE MOUNT **\$587**
3-1/2" wide for narrow installs

C 2036-2 LEFT OR RIGHT SIDE SLIDE MOUNT **\$587**
5" wide with rubber goods hook mounting option

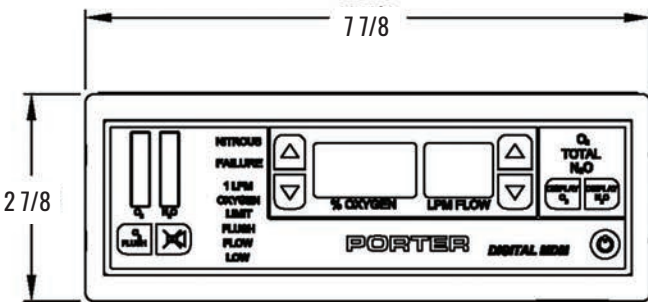
D 2037-1 UNDER COUNTER SLIDE MOUNT **\$590**

E AVS-5000S **\$758**
AVS UNDER COUNTER / CHAIR SWIVEL MOUNT

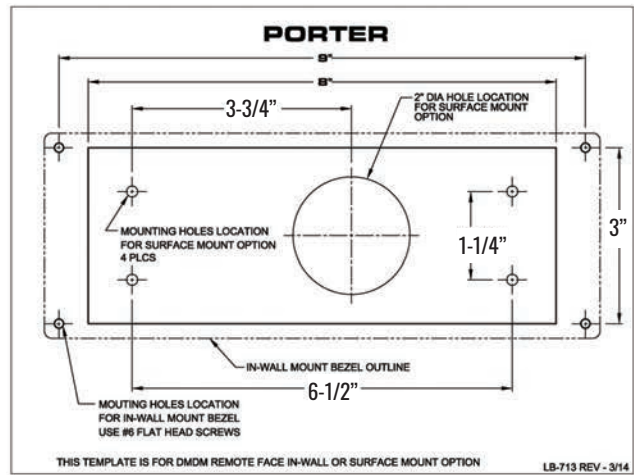
F 5335 **\$634**
CHAIR/LIGHT POST MOUNT (Bag Tee or AVS)

G B-5555-002 PORTER DIGITAL MDM Z BRACKET **\$66**
For under counter control module mounting

2025 **\$350**
CHAIR MOUNT KIT Not pictured – see pages 14 & 57.
Order in addition to options A-F.



1 1/4" D (without data cable)



Matrx D-MDM Flush Mount Flowmeter

Package Options:

A

91525238 (Small Bezel)

- Matrx D-MDM Flowmeter
- Remote Bag Tee and Vacuum Control
- Matrx Breathing Circuit
- 8' O₂ and N₂O DISS-to-DISS Hoses
- Pre-Install Kit

B

91525240 (Large Bezel with Oxygen Outlet)

- Matrx D-MDM Flowmeter
- Remote Bag Tee and Vacuum Control
- Matrx Breathing Circuit
- 8' O₂ and N₂O DISS-to-DISS Hoses
- Pre-Install Kit



40151602 D-MDM Flowmeter Only With Back Fittings **\$4,519**

40151604 D-MDM Flowmeter Only With Down Fittings **\$4,519**

A 91525238 **\$7,339**

MATRX D-MDM FLUSH MOUNT (Small Bezel) Back Fittings
4-1/4"H x 9-11/16"W x 6-1/2"D

91525163 – same as above with Down Fittings **\$7,339**

For pre-installation the following sub-kits can be ordered separately:

B-2460-KIT **\$340**

PRE-INSTALL PIPING KIT

Includes oxygen and nitrous oxide DISS-piped outlet connections with check valves.

“FINISH KIT” 91525241 (BACK FITTINGS) OR **\$7,099**

91525166 (DOWN FITTINGS) **\$7,099**

(Includes templates, flowmeter, remote bag tee, required mount with hardware, hoses to flowmeter, scavenger, breathing bag and finish hardware)



B 91525240 **\$7,741**

MATRX D-MDM FLUSH MOUNT SYSTEM (Large Bezel with Oxygen Outlet)

4-1/4"H x 12-5/8"W x 6-1/2"D

91525165 – same as above with Down Fittings **\$7,741**

For pre-installation the following sub-kits can be ordered separately:

B-2460-KIT **\$340**

PRE-INSTALL KIT

Includes oxygen and nitrous oxide DISS-piped outlet connections with check valves.

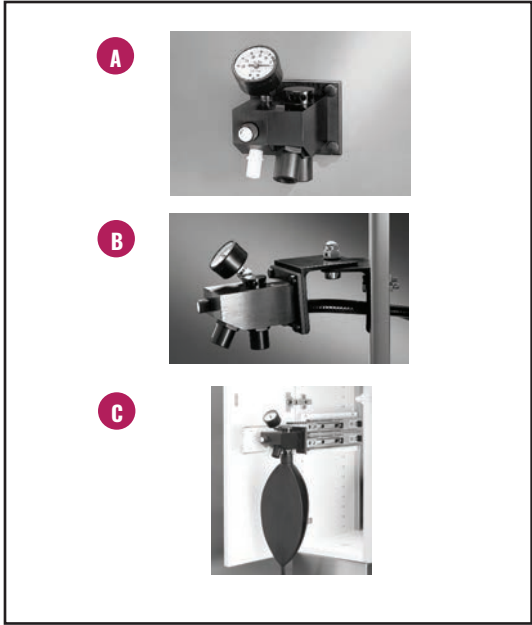
“FINISH KIT” 91525243 (BACK FITTINGS) OR **\$7,401**

91525168 (DOWN FITTINGS) **\$7,401**

(Includes templates, flowmeter, remote bag tee, required mount with hardware, hoses to flowmeter, scavenger, breathing bag and finish hardware)

Matrix D-MDM Flush Mount Flowmeter Systems

Bag Tee Mounting Options



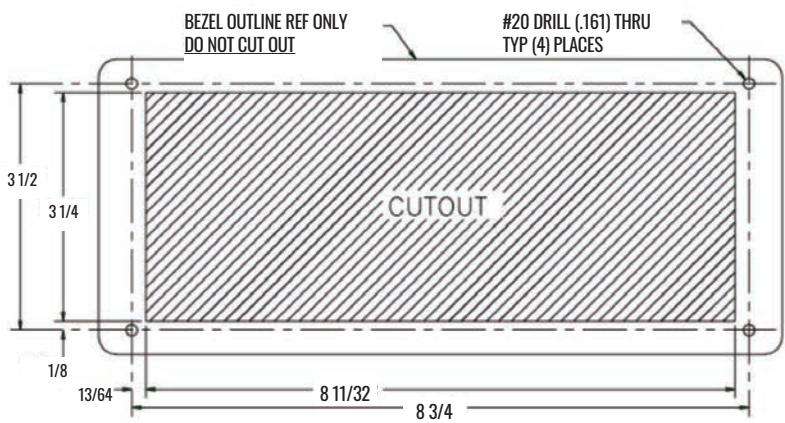
A 91525135 **\$1,320**
REMOTE BAG TEE*
** Included with all systems that list remote bag tee.*

B 91525136 **\$448**
SWING ARM ASSEMBLY FOR REMOTE BAG TEE
 (Remote Bag Tee Not Included)

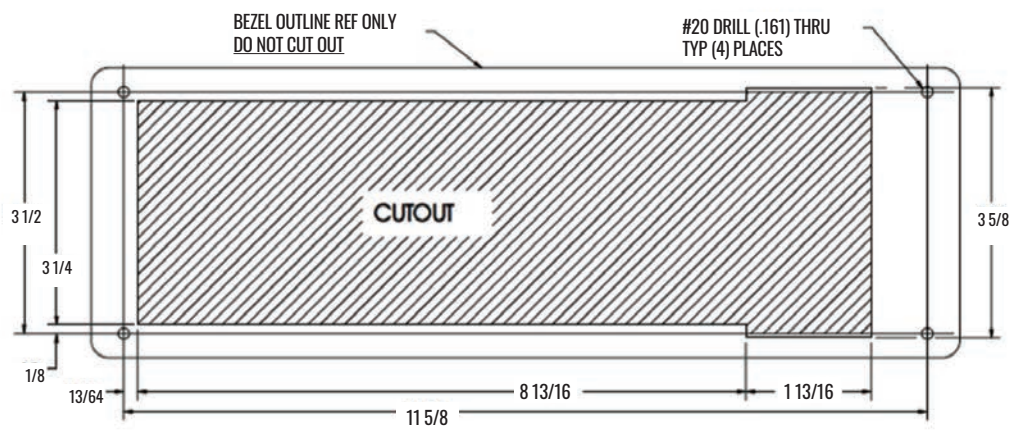
C 77000995 **\$595**
SLIDE MOUNT FOR REMOTE BAG TEE

2025 **\$350**
CHAIR MOUNT KIT
 See pages 14 & 57.

Small Bezel

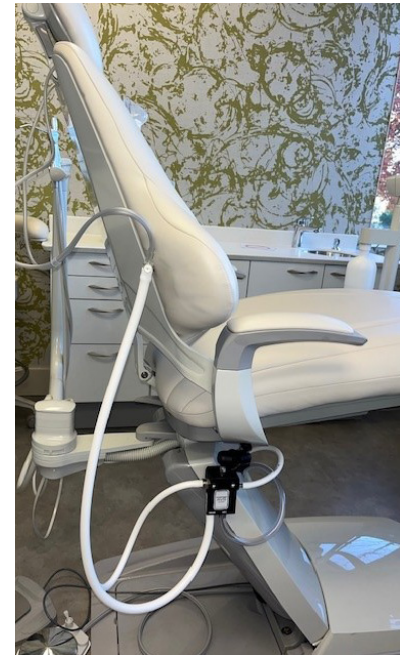


Large Bezel w/ Oxygen Quick Connect



Porter Chair Mount Options

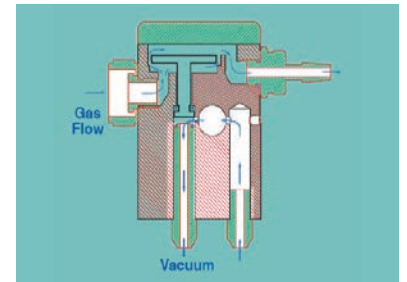
CONVENIENTLY MOUNT MIXED GAS AND VACUUM LINE CONNECTIONS TO YOUR DENTAL CHAIR



Seamless integration with Silhouette Single Use Breathing Circuit and Nasal Hood "All In One".



The vacuum control knob and site glass provide optimal vacuum control.



AVS (Automatic Vacuum Switch) technology, exclusively from Porter.

Chair Mount Kit Part Numbers

- CMK-A-300-400** \$995
Adec 300/400 Series Chair Mount Kit
- CMK-A-500** \$995
Adec 511 Series Chairmount Kit
- CMK-D-5000** \$995
DCI Series 4 and 5 Chairmount Kit
- CMK-Royal-A** \$995
Royal Alliant Chairmount Kit
- CMK-Royal** \$995
Royal Signet, R16, PD2, GP2 and RS1 Chairmount Kit

Accessory Part Numbers

- CMK-F-3800** \$995
Forest 3800 Chairmount Kit
- CMK-F-3900** \$995
Forest 3900 Chairmount Kit
- CMK-F-6400** \$995
Forest 6400 Chairmount Kit

*When ordering flush mount package – order without AVS.

Upright Flowmeters

It's easy to get started with an upright nitrous oxide system:

- Select Flowmeter package with mounting option
- For “Centrally plumbed” offices:
 - Add Outlets and Hoses – see pages 36-39
 - Select Manifold (and Zone Valve, if required) – see pages 32-33
 - Select additional Nasal Hoods / Silhouette – see pages 40-48



Porter MXR Flowmeter

Package Options:



C
2045-3
Tall E-Stand



D
2045-SHORT3
Short E-Stand



E
2020
Telescoping Wall Arm



F
2035-1
Under Counter Slide Mount



G
2036-3
Cabinet Slide Mount



H
2040
Compact Mobile Stand

Add "-S" to the end of a part number to receive the package with Silhouette in lieu of the 5155 breathing circuit.
Example: 3400AV-S



The gold standard in nitrous oxide delivery

- Precision glass flow tubes for real-time visualization and confirmation of gas flow
- Built for reliability and durability
- Ergonomic flow and percentage control valves
- Emergency oxygen quick connect conveniently located on the side of the MXR

Dimensions: 5" x 8 1/2" x 5 1/2"
Weight: 6 lbs

A 3000 **\$3,605**
Porter MXR Flowmeter and Bag Tee Only*

B.1 3400AV **\$4,687**
Porter MXR with AVS Package*

Includes MXR, AVS 5000 Vacuum Control, and 5155-3 Breathing Circuit

B.2 3400 **\$4,192**
Porter MXR with In-Line Vacuum Control Package*

Includes MXR, In-Line Vacuum Control, and 5155-1 Breathing Circuit

C.1 3445-2AV **\$7,994**
Porter MXR Tall E-Stand Package w/ AVS

Includes MXR, AVS 5000 Vacuum Control, 5155-3 Breathing Circuit, and Tall E-Stand (telescopes from 32 3/16" to 40 13/32" not including flowmeter).

C.2 3445-2 **\$7,502**
Porter MXR Tall E-Stand Package

Includes MXR, In-Line Vacuum Control, 5155-1 Breathing Circuit, and Tall E-Stand (telescopes from 32 3/16" to 40 13/32" not including flowmeter).

D.1 3445-SAV **\$7,994**
Porter MXR Short E-Stand Package w/ AVS

Includes MXR, AVS 5000 Vacuum Control, 5155-3 Breathing Circuit, and Short E-Stand (30 1/2" at lowest position)

D.2 3445-S **\$7,502**
Porter MXR Short E-Stand Package

Includes MXR, In-Line Vacuum Control, 5155-1 Breathing Circuit, and Short E-Stand (30 1/2" at lowest position)

Porter MXR Flowmeter (Continued)

E.1 3420AV **\$5,235**
Porter MXR Telescoping Wall Arm Package w/ AVS*
 Includes MXR, AVS 5000 Vacuum Control, 5155-3 Breathing Circuit, and Telescoping Wall Arm

E.2 3420 **\$4,741**
Porter MXR Telescoping Wall Arm Package*
 Includes MXR, In-Line Vacuum Control, 5155-1 Breathing Circuit, and Telescoping Wall Arm

F.1 3435-1AV **\$5,174**
Porter MXR Under Counter Slide Package w/ AVS*
 Includes MXR, AVS 5000 Vacuum Control, 5155-3 Breathing Circuit, and Under Counter Slide Mount

F.2 3435-1 **\$4,677**
Porter MXR Under Counter Slide Package*
 Includes MXR, In-Line Vacuum Control, 5155-1 Breathing Circuit, and Under Counter Slide Mount

G.1 3436AV **\$5,244**
Porter MXR Cabinet Slide Mount Package w/ AVS*
 Includes MXR, AVS 5000 Vacuum Control, 5155-3 Breathing Circuit, and Cabinet Slide Mount

G.2 3436 **\$4,750**
Porter MXR Cabinet Slide Mount Package*
 Includes MXR, In-Line Vacuum Control, 5155-1 Breathing Circuit, and Cabinet Slide Mount

H.1 3440AV **\$5,278**
Porter MXR Compact Mobile Stand Package w/ AVS*
 Includes MXR, AVS 5000 Vacuum Control, 5155-3 Breathing Circuit, and Compact Mobile Stand

H.2 3440 **\$4,782**
Porter MXR Compact Mobile Stand Package*
 Includes MXR, In-Line Vacuum Control, 5155-1 Breathing Circuit, and Compact Mobile Stand

*Additional items may be required: Manifold, Outlet Stations, and Hoses.

Porter Sentry Sedate

PORTABLE ENCLOSED 4 CYLINDER NITROUS OXIDE AND OXYGEN SYSTEM



Porter MXR-D Digital / Analog Flowmeter



Porter MXR-1 Analog Flowmeter

MODELS

- 34 and 44 include 5155-1 Breathing Circuit
- 34AV and 44AV include 5155-3 Breathing Circuit

SENTRY-34	MXR-1 Sentry Sedate	\$9,579
SENTRY-34AV	MXR-1 Sentry Sedate w/ AVS	\$10,167
SENTRY-44	MXR-D Sentry Sedate	\$9,959
SENTRY-44AV	MXR-D Sentry Sedate w/ AVS	\$10,555

Replacement keys, see page 49 for part numbers.

DIMENSIONS & WEIGHT

Height - 33"
 Depth - 24"
 Width - 18"
 Weight - 96 lbs
 (add 2 lbs for Porter Digital MXR) -
 does not include cylinders

The Porter Sentry Sedate features portability and security with:

- Dual Locking Doors
- Holds 2 Oxygen and 2 Nitrous Oxide "E" Cylinders (not included)
- Internal and External Storage
- Working Surface
- Durable Locking Wheels
- Emergency Oxygen Quick Connect

Add "-S" to the end of a part number to receive the package with Silhouette in lieu of the 5155 breathing circuit. Example: SENTRY-34AV-S



Porter Sentry Sedate (Continued)

FEATURES FOR PORTABILITY, SECURITY AND CONVENIENCE

The sturdy cabinet design features both internal and external storage.

Sentry Sedate holds two nitrous oxide cylinders and two oxygen cylinders.

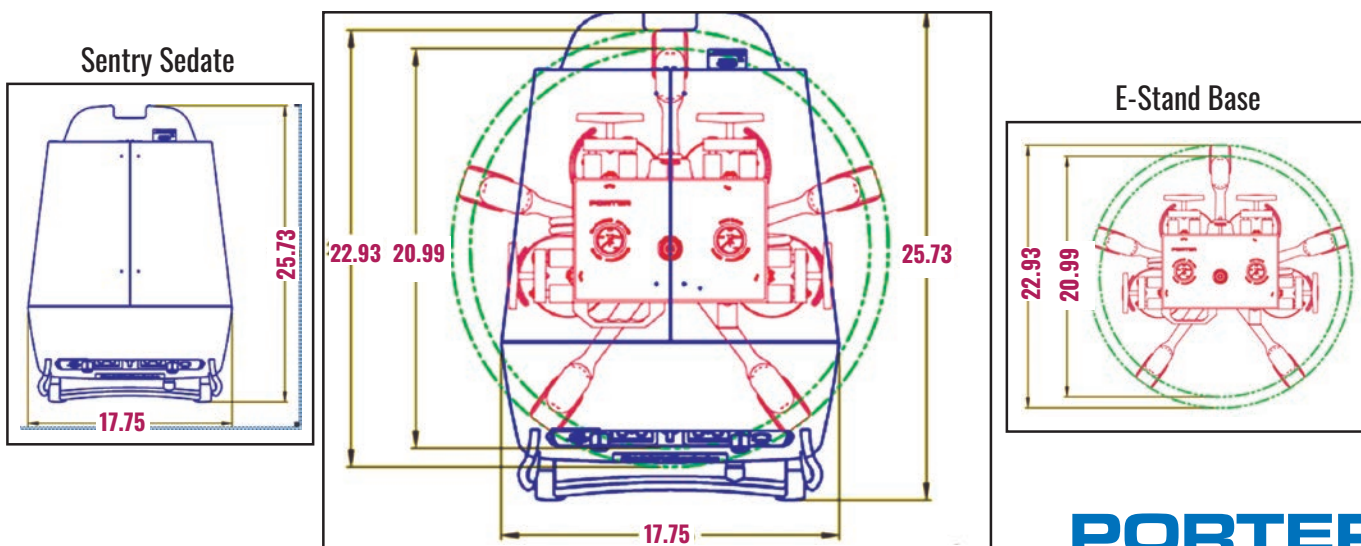
A side hook conveniently holds the breathing circuit and hoses.

Large locking wheels allow the unit to be easily moved from room to room.

The dual locks ensure safe, secure cylinder storage.

Sentry Sedate and E-Stand Footprint Comparison

SENTRY SEDATE IS 3" NARROWER AND ONLY 3" LONGER THAN AN E-STAND WHEEL BASE!



Matrx MDM Flowmeter

Package Options:



C
2045-3
Tall E-Stand



D
2020
Telescoping Wall Arm



E
2040
Compact Mobile Stand



F
2042
Tall Mobile Stand

- Large precision glass flow tubes for real-time visualization and confirmation of gas flow
- Only analog flowmeter with “Auto-Compensation” feature
Flow stays consistent as percentage is adjusted
- Flow control knob and percentage adjustment dial

Dimensions: 5” x 13 3/4” x 5 3/4”
Weight: 6.5 lbs



A 94500150 **\$3,887**
Matrx MDM Flowmeter and Bag Tee Only *

B 20050 **\$4,599**
Matrx MDM with Vacuum Control Valve Package *
Includes MDM, Vacuum Control Valve, and Matrx Breathing Circuit

C 24450 **\$7,959**
Matrx MDM Tall E-Stand Package
Includes MDM, Vacuum Control Valve, Matrx Breathing Circuit, and Tall E-Stand

D 28050 **\$4,898**
Matrx MDM Telescoping Wall Arm Package *
Includes MDM, Vacuum Control Valve, Top-Mount Adapter, Matrx Breathing Circuit and Telescoping Wall Arm

E 23050 **\$4,938**
Matrx MDM Compact Mobile Stand Package *
Includes MDM, Vacuum Control Valve, Matrx Breathing Circuit, and Compact Mobile Stand

F 24050 **\$4,987**
Matrx MDM Tall Mobile Stand Package *
Includes MDM, Vacuum Control Valve, Matrx Breathing Circuit, and Tall Mobile Stand

Matrix D-MDM Flowmeter

Package Options:



C
2045-3
Tall E-Stand



D
2020
Telescoping Wall Arm



E
2040
Compact Mobile Stand



F
2042
Tall Mobile Stand



- Brightly lit LED display with flow rate, percentage, and digital flow tubes
- Audible and visual alarms
- Auto-compensation keeps flow consistent as percentage is adjusted
- Push button operation for simple flow and percentage adjustment

Dimensions: 3 1/4" x 8 3/4" x 7 1/2 "
Weight: 5 lbs

A 91525115 **\$4,368**

Matrix Digital MDM Flowmeter with Power Supply and Bag Tee Only*

B 10060 **\$4,940**

Matrix Digital MDM with Vacuum Control Valve Package*
Includes Digital MDM, Vacuum Control Valve, and Matrix Breathing Circuit

C 14460 **\$8,399**

Matrix Digital MDM Tall E-Stand Package*

Includes Digital MDM, Vacuum Control Valve, Matrix Breathing Circuit, and Tall E-Stand

D 18060 **\$5,320**

Matrix Digital MDM Telescoping Wall Arm Package*

Includes Digital MDM, Vacuum Control Valve, Matrix Breathing Circuit and Telescoping Wall Arm

E 13060 **\$5,359**

Matrix MDM Compact Mobile Stand Package*

Includes Digital MDM, Vacuum Control Valve, Matrix Breathing Circuit, and Compact Mobile Stand

F 14060 **\$5,408**

Matrix Digital MDM Tall Mobile Stand Package*

Includes Digital MDM, Vacuum Control Valve, Matrix Breathing Circuit, and Tall Mobile Stand

*Additional items may be required: Manifold, Outlet Stations, and Hoses.

PORTER

Porter STANDARD Flowmeter

Package Options:



C

2045-3
Tall E-Stand



D

2020
Telescoping Wall Arm



E

2035-1
Under Counter Slide Mount



F

2036-3
Cabinet Slide Mount



G

2040
Compact Mobile Stand

- Precision glass flow tubes for real-time visualization and confirmation of gas flow
- Built for reliability and durability
- Separate oxygen and nitrous oxide control valves
- Automatically pilots to 3 lpm of oxygen when turned on
- Oxygen quick connect conveniently located on the side of the STANDARD

Dimensions: 5" x 8 1/2" x 5 1/2"
Weight: 6 lbs.

- A 1100** **\$3,007**
Porter STANDARD Flowmeter and Bag Tee Only*
- B 1400** **\$3,495**
Porter STANDARD with In-Line Vacuum Control Package*
Includes STANDARD, In-Line Vacuum Control, and 5155-1 Breathing Circuit
- C 1445-2** **\$6,842**
Porter STANDARD Tall E-Stand Package
Includes STANDARD, In-Line Vacuum Control, 5155-1 Breathing Circuit, and Tall E-Stand



- D 1420** **\$4,212**
Includes STANDARD, In-Line Vacuum Control, 5155-1 Breathing Circuit, and Telescoping Wall Arm
- E 1435-1** **\$4,340**
Porter STANDARD Under Counter Slide Package*
Includes STANDARD, In-Line Vacuum Control, 5155-1 Breathing Circuit, and Under Counter Slide Mount
- F 1436** **\$4,410**
Porter STANDARD Cabinet Slide Mount Package*
Includes STANDARD, In-Line Vacuum Control, 5155-1 Breathing Circuit, and Cabinet Slide Mount
- G 1440** **\$4,345**
Porter STANDARD Compact Mobile Stand Package*
Includes STANDARD, In-Line Vacuum Control, 5155-1 Breathing Circuit, and Compact Mobile Stand

*Additional items may be required: Manifold, Outlet Stations, and Hoses.

Porter Upright Flowmeter Mount Options



2020	Porter and Matrix Telescoping Wall Arm Extends to 18"	\$564
2023	Porter MXR Non Telescoping Wall Mount	\$260
2035-1	Porter MXR Under Cabinet Slide Mount Extends 5"	\$587
2036-3	Porter MXR Side Cabinet Mount Extends 9"	\$587
2024	Porter MXR Chair / Light Post Mount	\$495
5335	Remote Bag Tee Post Mount	\$634

Matrix Upright Flowmeter Mount Options



2020	Porter and Matrix Telescoping Wall Arm Extends to 18"	\$564
92505044	Matrix MDM Top Mount Bracket and Stud	\$259
91505093	Matrix MDM/DMDM Bottom Mount Stud w/Nut	\$95
92505045	Matrix MDM/DMDM Bottom Mount Stud	\$98
92505088	Porter MXR Adapter For Matrix Wall Mount	\$98
A-4492-000	2020 Wall Arm Extension	\$177

Porter and Matrix Mobile Cart Options



- 2045-3** Tall E Stand - 43”to 50” **\$3,718**
- 2045-SHORT3** Short E Stand - 31”to 40” **\$3,718**
For Porter Flowmeters Only
- 2040** Porter or Matrix Compact Mobile Stand **\$571**
- Extends 24” to 36”
- 2042** Porter or Matrix Tall Mobile Stand **\$592**
- Extends 43” to 50”
- HANDLE-1** Post Handle for all Mobile Carts and E-Stands **\$175**

**Wheel Base Dimensions For All Carts: 22 15/16”*



See page 50 for a complete list of spare parts.

Porter MXR Mounting Examples



Porter MXR w/ Tall E-Stand



**Porter MXR w/ Short E-Stand
(cylinders not included)**



Porter MXR w/ Telescoping Wall Arm



Porter MXR w/ Cabinet Slide



Porter MXR w/ Compact Mobile Cart



Porter MXR w/ Cabinet Slide

Porter Oral Surgery Flowmeter and Accessories



C

2042 Tall Mobile Cart
(Also sold separately.
See p. 27)



D

2200-OS Oral Surgery
Accessory Package



- The only flowmeter with “High Flow” capabilities
- Precision Porter glass flow tubes
- Ergonomic flow and percentage control valves
- Directional “Y” valve accessory package with adult facemask
- Oxygen quick connect conveniently located on side of flowmeter
- Optional breathing circuit hook sold separately, see p. 30, item E

Dimensions: 5” x 8.5” x 5.5” (without Directional “Y” Valve)
Weight: 6lbs

A 3000-OS **\$3,808**
Porter Oral Surgery Flowmeter and Bag Tee (Threaded) Only

B 3400-OS **\$4,403**
Porter Oral Surgery Flowmeter
Includes OS Flowmeter, 5155-1 Breathing Circuit with In-Line Vacuum Control, and Threaded Bag Tee (2200-OS Accessory Package not included)

C 3444-OS **\$6,297**
Porter Oral Surgery Tall Mobile Cart Package
Includes 3400-OS Package, Tall Mobile Cart, and 2200-OS

D 2200-OS **\$1,294**
Porter Oral Surgery Accessory Package
Only for use with Porter flowmeters and Threaded Bag Tee (P2407A).
Includes Directional “Y” Valve, Non-rebreathing Valve, Adult Full Facemask, and Corrugated Tubing.

*Note: Optional Breathing Circuit Hook available, see p. 27, item E.
For “Centrally Plumbed” offices, order Manifold, Outlets, and Hoses.*

Porter Oral Surgery Accessories



A P2407A **\$411**
Porter Oral Surgery Threaded Bag Tee



B 2210K **\$832**
Porter Directional "Y" Valve
 Only for use on Porter Oral Surgery, MXR, or STANDARD flowmeters.
 Must have P2407A to attach. (For Matrix - see next page)



C 1597 **\$770**
Non-Rebreathing Valve



D 93316427 **\$119**
Adult Full Facemask

E 93316426 **\$119**
Pediatric Full Facemask



Optional add-on to oral surgery package

5060-6 **\$113**
Corrugated Autoclavable Tubing - 6 ft (smooth bore style)

F B-5129-000 **\$146**
Breathing Circuit Hook
 Only for use with Porter Oral Surgery, MXR, or STANDARD flowmeters

G (post mount) (Not included with 2200-OS)

5054-CAP-KIT **\$129**

H Nasal Mask Capnography Kit
 Includes Hole Punch and 25 Luer Locks

5054LUERLOCK **\$36**
Disposable Luer Locks (25)



Mask not included.

Matrx MDM and Digital MDM Oral Surgery Packages



Package Options:



C 2042
Tall Mobile Cart



D 2020
Telescoping Wall Arm



E 2045-3
Tall E-Stand

A Flowmeter with Directional Y Valve Package

50007	MDM Flowmeter	\$4,986
40007	DMDM Flowmeter	\$5,445

B Flowmeter with Directional Y Valve Package, Breathing Circuit and Scavenger Control

20057	MDM Flowmeter	\$5,642
10067	DMDM Flowmeter	\$6,178

C Flowmeter with Directional Y Valve Package, Breathing Circuit with Scavenger Control, and Tall Mobile Cart

24057	MDM Flowmeter	\$6,111
14067	DMDM Flowmeter	\$6,440

D Flowmeter with Directional Y Valve Package, Breathing Circuit, Scavenger Control, and Telescoping Wall Arm

28057	MDM Flowmeter	\$6,018
18067	DMDM Flowmeter	\$6,604

E Flowmeter with Directional Y Valve Package, Breathing Circuit, Scavenger Control, and Tall E-Stand

24457	MDM Flowmeter	\$9,124
14467	DMDM Flowmeter	\$9,808

Easily adapt any Matrx flowmeter (MDM, D-MDM, RA) with the Matrx Oral Surgery Accessory Package.

91525191 \$1,291

Matrx Directional “Y” Valve Package

Includes: Directional “Y” Valve, Non-Rebreathing Valve, Universal Female Adapter, Corrugated Tube, and Adult and Pedo Full Facemask

94525192	Matrx Directional “Y” Valve	\$762
1597	Non-Rebreathing Valve	\$770
91315079	Universal Adapter	\$104
93316426	Pedo Full Facemask	\$119
93316427	Adult Full Facemask	\$119
5060-6	Corrugated Autoclavable Tube	\$113

For “Centrally Plumbed” offices, order Manifold, Outlets, and Hoses.



Featured Porter Products:

- | | |
|-------------------------|--|
| 4465CQD | Porter MXR-D Flush Mount Flowmeter |
| 2200-OS w/P2407A | Directional Y Valve Package w/ OS Bag Tee |
| A-4543-000 | Oxygen Flowmeter |
| 77008037 | Surgical Suction Package |
| 2036-2 | Bag Tee Slide Mount |



Surgical Suction and Recovery Room



77008037 **\$1,710**
Surgical Suction Recovery Room Package
 (Includes items A-F)


77008037-LPI **\$1,225**
**Surgical Suction Recovery Room Package –
 Less DISS Vacuum Outlet** (Includes all other items in the regular package)
Compatible with vacuum regulator-DISS


Package Includes:

-  **A**
77008038
Vacuum Regulator – DISS
-  **B**
91309169
Matrx Vacuum Outlet – DISS
-  **C**
91120152
1200cc Disposable Canisters
-  **D**
77000192
Conductive Tubing – 6 ft.
-  **E**
77000689
Vacuum Slide and Ring
-  **F**
65965600
Replacement Elbow

- A** **77008038** **\$980**
Vacuum Regulator – DISS
Compatible with vacuum outlet - DISS
- 65944300-OM** **\$980**
Vacuum Regulator - Ohio/Matrx
- B** **91309169** **\$485**
Vacuum Outlet – DISS
- C** **91120152** **\$115**
1200cc Disposable Canisters (5)
- D** **77000192** **\$71**
Conductive Tubing – 6 ft., 1/4” ID
- E** **77000689** **\$52**
Canister Mounting Bracket
- F** **65965600** **\$4**
Replacement Elbow

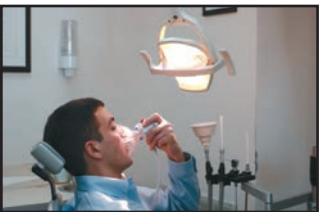
Other Vacuum Outlets:

 **5600-3** **\$434**
Porter Vacuum Outlet

 **91309148** **\$449**
Matrx Vacuum Outlet

(Additional outlets and hoses, see pages 36-39)

Oxygen Therapy and Emergency Oxygen



Oxygen Therapy Flowmeters (0-15 LPM)

A-4543-000	Oxygen Flowmeter – Porter Quick Connect	\$266
91350404	Oxygen Flowmeter – MatrX Quick Connect (Male QC)	\$273
91350408	Oxygen Flowmeter – DISS Connect (Female)	\$273

C-1782	O₂ Flowmeter Wall Mount Kit (includes O₂ Flowmeter and Mount)	\$335
B-5808	O₂ Flowmeter Wall Mount – Mount Only	\$100

Other Items:

A-1675	O₂ DISS (Male) to Porter O₂ Quick Connect	\$137
65918900	Barbed Adapter – DISS (Female) to Hose Barb	\$5
91318129	Quick Connect Adapter 1/8" NPT x MatrX Male Quick Connect	\$119
PA-1362-000	O₂ Flowmeter 90° Adapter	\$55
B-5761-000	O₂ Adapter – MDM	\$94

Emergency Oxygen

1536-1	Positive Pressure Demand Valve System Includes: Demand Valve with Adult Full Facemask, 6 ft. Hose, E-Cylinder Cart, and Regulator with Yoke (Porter Connection) Cylinder not included.	\$1,624
1538	E-Cylinder Cart	\$233
1506-1	Positive Pressure Demand Valve – Porter QC	\$941
1506-1M	Positive Pressure Demand Valve – MatrX QC	\$941
1506-1D	Positive Pressure Demand Valve – DISS	\$941
93316427	Adult Full Face Mask	\$119
93316426	Pediatric Full Face Mask	\$119
1566-1	Regulator and Yoke w/ Porter Connection	\$633
1560-1	Regulator and Yoke w/ DISS Male Connection	\$633

* For a complete listing of O₂ outlets, see pages 36-37.

Vanguard Manifold System

Automatic Changeover Manifold

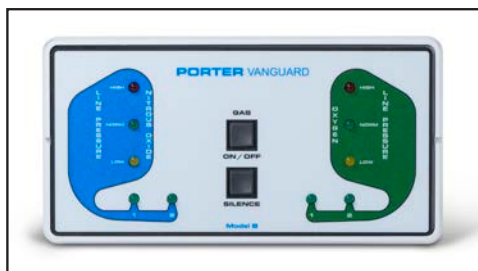


Vanguard Manifold

Complete system including Vanguard Manifold, Wall/Desk Alarm, Manifold Pre-Install Kit, 2 O₂ and 2 N₂O Regulators, O₂ and N₂O hoses, Cylinder Restraints, 75' of Alarm Cable, and Power Supply

4222CXB Vanguard Wall Alarm Package **\$7,324**

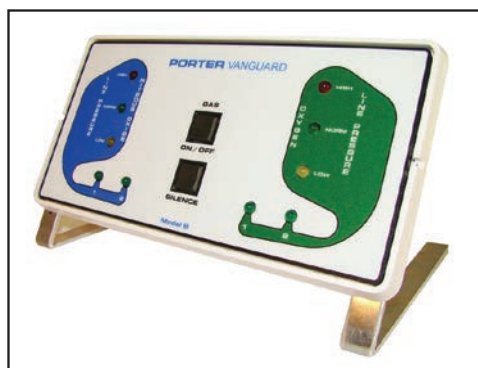
4222DXB Vanguard Desk Alarm Package **\$7,324**



Vanguard Wall Alarm

4222CXBLPI Vanguard Wall Alarm Package (LPI) Complete 4222 system Less Pre-Install Kit **\$6,858**

3653-EZW Vanguard Wall Alarm Pre-Install Kit **\$600**
Includes: Cable Assembly (75'), Modular Cable Assembly (2'), Power Junction Box, O₂/N₂O Pigtails, and Mounting Template



Vanguard Desk Alarm

4222DXBLPI Vanguard Desk Alarm Package (LPI) **\$6,858**

3653-EZD Vanguard Desk Alarm Pre-Install Kit **\$600**
Includes: Cable Assembly (75'), Modular Cable Assembly (2'), Power Junction Box, O₂/N₂O Pigtails, and Mounting Template



Zone Valve

9000-2 Vanguard System Concealed Zone Valve Shut Off **\$1,917**
Cut Out Dimensions: 9" W x 10.5" H

Vanguard System Individual Components

4222NOHF-1	Vanguard Manifold Only	\$5,224
6251A	Wall alarm only	\$1,726
6201A	Desk alarm only	\$1,726
7000-2	Oxygen tank regulator	\$513
7500-2	Nitrous Oxide tank regulator	\$513
8003	3 ft Oxygen Hose (tank to Manifold)	\$175
8503-B	3 ft Nitrous Oxide Hose (tank to Manifold)	\$175
3525	Cylinder Restraints (Set of 2)	\$200
A-2144	DISS Copper Pigtails O ₂ 1/2" O.D. and N ₂ O 3/8" O.D.	\$168

Matrx Manifold Retrofit Elbows

B-5496-000	N ₂ O Elbow	\$85
B-5497-000	O ₂ Elbow	\$85

*For additional Vanguard Manifold Parts – see page 52

Sentinel Manifold System

Manual Changeover Manifold System



Sentinel Manifold

Complete system including Sentinel Manifold, Wall Alarm, Manifold Pre-Install Kit, 2 O₂ and 2 N₂O Regulators, O₂ and N₂O hoses, Cylinder Restraints, 75' of Alarm Cable, and Power Supply

3222CX **\$5,687**
Sentinel Wall Alarm Package

3221CX **\$5,312**
Sentinel Wall Alarm Package
 Wall Alarm package for 2 O₂ and 1 N₂O Cylinders

3222CX-N/R&H **\$3,928**
Sentinel Wall Alarm Package
 No Regulators or Hoses



Sentinel Wall Alarm Panel

9000-1 **\$1,917**
Sentinel System Concealed Zone Valve Shut Off
 Cut Out Dimensions: 9" W x 10.5" H



Zone Valve

Sentinel System Individual Components

3222MXB	Sentinel Manifold Only	\$2,963
5251	Wall alarm only	\$1,273
7000-2	Oxygen tank regulator	\$513
7500-2	Nitrous Oxide tank regulator	\$513
8003	3 ft Oxygen Hose (tank to Manifold)	\$175
8503-B	3 ft Nitrous Oxide Hose (tank to Manifold)	\$175
3525	Cylinder Restraints (Set of 2)	\$200
A-2144	DISS Copper Pigtails O₂ 1/2" O.D. and N₂O 3/8" O.D.	\$168

Matrx Manifold Retrofit Elbows

B-5496-000	N₂O Elbow	\$85
B-5497-000	O₂ Elbow	\$85

**For additional Sentinel Manifold Parts – see page 53*

Nitrogen Manifold and Accessories



8201 **\$2,755**
Nitrogen Manifold System
 Includes one regulator, tank restraints & one 3ft. hose

8202 **\$3,524**
Nitrogen Manifold System
 Includes two regulators, tank restraints & two 3ft. hoses

8203 **\$4,291**
Nitrogen Manifold System
 Includes three regulators, tank restraints & three 3ft. hoses



Nitrogen Outlet Assembly
 6-233114-00 Nitrogen Rough In **\$150**
 6-230914-00 Nitrogen Latch Valve – DISS **\$93**



PARTS ONLY
7400-1 **\$539**
Nitrogen Regulator Only

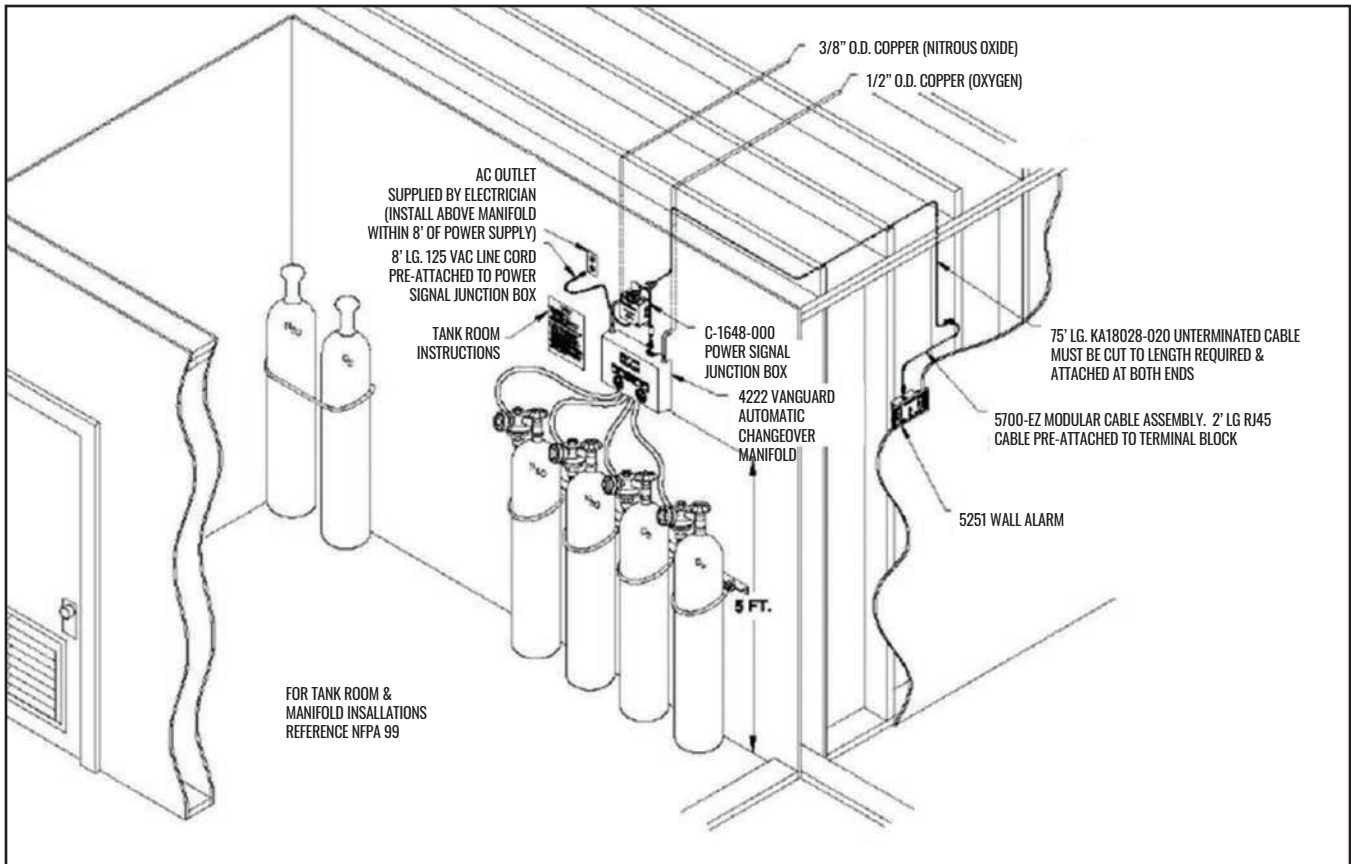
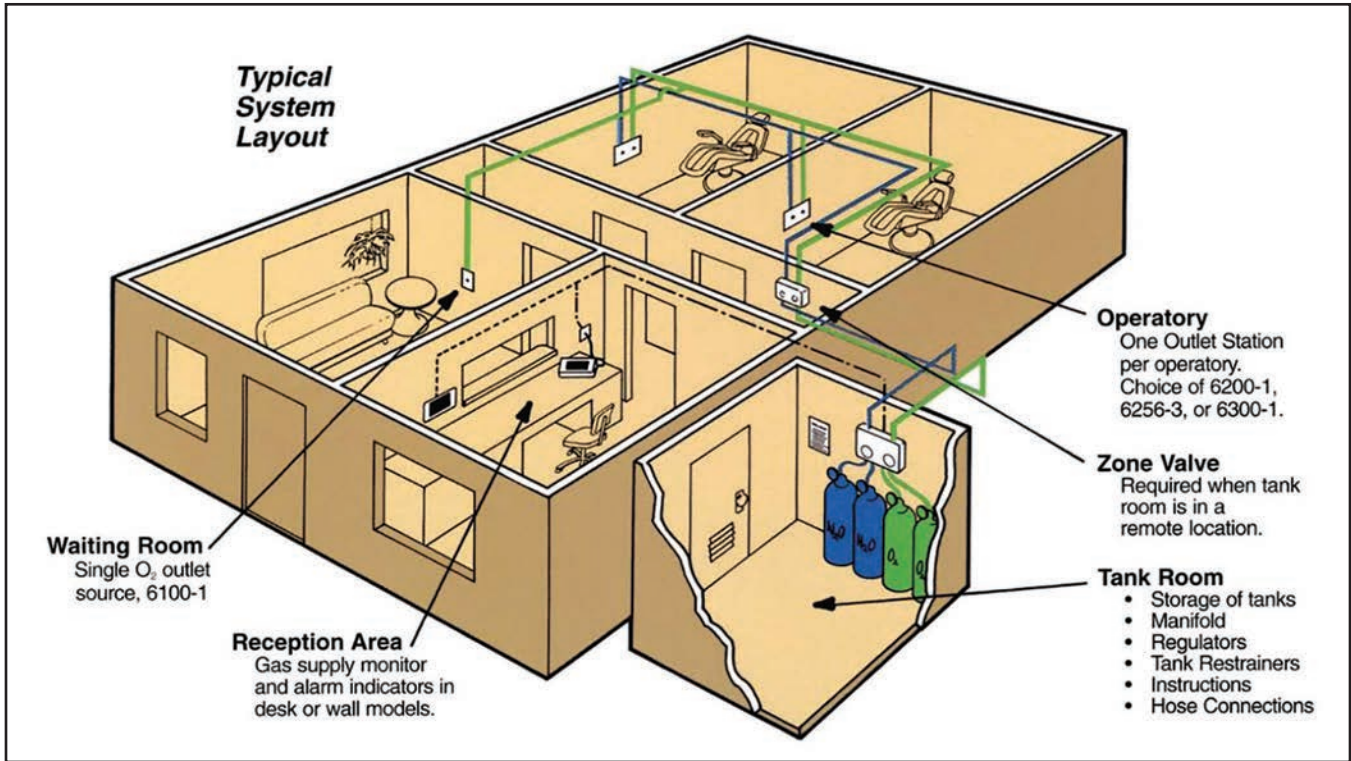
8803 **\$166**
Nitrogen Hose, DISS/DISS, 3ft.
 Note: Stock number listed is for 3 ft. Last digit indicates length.
 Example: 8805 hose N₂, DISS/DISS=5ft. long

8200 **\$2,043**
Nitrogen Manifold Only

PA-1140-000 **\$117**
Nitrogen Check Valve Assy.
 (For 8200 series models)

PA-1143-000 **\$90**
Nitrogen Gauge
 (For 8200 series models)

Tank Room Layout



Porter Quick Connect Outlet Stations

Porter Outlets



6100-1 **\$359**
Single Oxygen Outlet Station

6200-1 **\$504**
Dual Outlet Station, O₂/N₂O

6250K **\$59**
Exposed Cover For Surface Mount 6100-1 or 6200-1

6300-1 **\$823**
Floor Mounted Outlet Station

6255-1 **\$792**
Compact Wall Triple Outlet
O₂/N₂O/Vacuum

6256-3 **\$792**
Triple Outlet
Concealed Triple Outlet

6258-1 **\$788**
Compact Triple Outlet for Cabinets
(no hoses or piped outlet connections)

6258-3 **\$1,371**
Compact Triple Outlet for Cabinets
With 3 foot hoses and piped outlet connections

6258-5 **\$1,371**
Compact Triple Outlet for Cabinets
With 5 foot hoses and piped outlet connections

6258-1B **\$788**
Compact Triple Outlet for Cabinets w/ Back Connections
(no hoses or piped outlet connections)

6258-3B **\$1,371**
Compact Triple Outlet for Cabinets w/ Back Connections
With 3 foot hoses and piped outlet connections

6258-5B **\$1,371**
Compact Triple Outlet for Cabinets w/ Back Connections
With 5 foot hoses and piped outlet connections

5600-3 **\$434**
Vacuum Outlet Station

Matrx (OHIO) Quick Connect and DISS Style Outlets

Recessed Ohio Quick Connect Outlet Stations



Order No.	Description	List Price
91309146	O₂, Matrx Single Quick Connect	\$449
91309147	N₂O, Matrx Single Quick Connect	\$449
91309148	VAC, Matrx Single Quick Connect	\$449
91309150	O₂/N₂O Matrx Dual Quick Connect	\$661
91309151	O₂/N₂O/Vac Matrx Triple Quick Connect	\$924

Recessed DISS Outlet Stations



Order No.	Description	List Price
91309163	O₂, DISS Single	\$485
91309164	N₂O, DISS Single	\$485
91309169	VAC, DISS Single	\$485



91309171	O₂/N₂O Dual DISS	\$791
-----------------	---	--------------



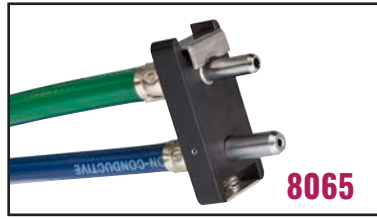
91309172	O₂/N₂O/VAC Triple DISS	\$1,118
-----------------	---	----------------

Mini O₂ Outlet w/ DISS Back Fitting

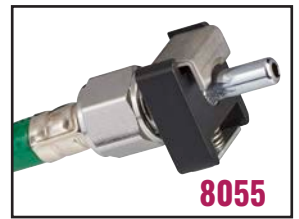


4107201187	Mini Oxygen Outlet Rough In	\$124
4107214634	Mini Oxygen Outlet Latch Assembly (OHIO)	\$124

Hoses and Quick Connects



8065 O₂/N₂O, Porter Dual Male/DISS Female, 5ft \$311



8055 O₂, Porter Male/DISS Female, 5ft. \$246



92305126-5 O₂, Matrx (OHIO) Male/DISS Female, 5ft. \$175

92305127-5 N₂O, Matrx (OHIO) Male/DISS Female, 5ft.. \$175

92305118-5 O₂, Matrx (OHIO) Female/DISS Female, 5ft. \$261

92305119-5 N₂O, Matrx (OHIO) Female/DISS Female, 5ft. \$261



8005 O₂, DISS/DISS, 5ft., Female \$175

8505 N₂O, DISS/DISS, 5ft., Female \$175

8005-F/M O₂, DISS Female/Male, 5ft. \$191

8505-F/M N₂O, DISS Female/Male, 5ft. \$191

92305288-5 O₂, DISS Hand Twist Female/DISS Female, 5 ft. \$181

92305289-5 N₂O, DISS Hand Twist Female/DISS Female, 5ft. \$181



8015 O₂, Chemetron (NCG) Male/DISS Female, 5 ft. \$263

8515 N₂O, Chemetron (NCG) Male/DISS Female, 5 ft. \$263



8025 O₂, Puritan Male/DISS Female, 5 ft. \$263

8525 N₂O, Puritan Male/DISS Female, 5 ft. \$263



8035 O₂, Schrader Male/DISS Female, 5 ft. \$295

8535 N₂O, Schrader Male/DISS Female, 5 ft. \$295

All hose prices 1 – 5 ft are same price. Last digit of part numbers indicates length.
Call Porter for price per foot of O₂ and N₂O hose.



8045	O₂, Oxequip Male / DISS Female, 5ft.	\$263
8545	N₂O, Oxequip Male / DISS Female, 5ft.	\$263

Vacuum Hoses and Vacuum Quick Connects

Vacuum Hoses Only



5059	Vacuum Hose (Grey), 8ft. (3/8" ID, 5/8" OD)	\$63
PA-679-000	Vacuum Hose (Grey), By the foot (3/8" ID, 5/8" OD)	\$12/ft.
PA-679-CLR	Vacuum Hose (Clear), 20ft. (3/8" ID, 5/8" OD)	\$131
91525143	Vacuum Hose (Matrx Remote Bag Tee), 10ft.	\$39
PA-1160-000	Vacuum Hose (Matrx Remote Bag Tee), by the foot	\$6.30/ft.
92515063-5	Vacuum Hose, 1/4" MNPT / Matrx Ohio Male, 5ft.	\$160
92515064-5	Vacuum Hose, 1/4" MNPT / DISS Female, 5ft.	\$181
92305248-5	Vacuum Hose, DISS Female / DISS Female, 5ft.	\$153



Vacuum Connects Only



5602	Porter Vacuum Quick Connect Right Angle w/ 3/8" Barb	\$164
A-4266-000	Porter Vacuum Quick Connect (Straight) w/ 3/8" Barb	\$168
5670	Matrx (OHIO) Vacuum Quick Connect w/ 3/8" Barb	\$164
5602-DISSVAC	DISS Vacuum Connect w/ 3/8" Barb	\$164
5602-CT	Chemetron Vacuum Quick Connect w/ 3/8" Barb	\$164
5602-PB	Puritan Vacuum Quick Connect w/ 3/8" Barb	\$180
5602-OM	Oxequip Medstar Vacuum Quick Connect w/ 3/8" Barb	\$180
5602-DISSWAG	DISS WAGD Vacuum Connect w/ 3/8" Barb	\$180
5670WAGD	Matrx (OHIO) WAGD Vacuum Quick Connect w/ 3/8" Barb	\$172
5602-CTWAG	Chemetron WAGD Vacuum Quick Connect w/ 3/8" Barb	\$186
5602-PBWAG	Puritan WAGD Connect w/ 3/8" Barb	\$180
5602-RK	Right Angle Retrofit	\$256



C-598-004	O₂ Splitter DISS (order hoses separately)	\$174
C-598-003	N₂O Splitter DISS (order hoses separately)	\$174
B-5497-000	O₂ 90° Elbow Female DISS / Female DISS	\$85
B-5496-000	N₂O 90° Elbow Female DISS / Female DISS	\$85

Silhouette Low Profile Nasal Mask

PORTER
Silhouette
LOW PROFILE NASAL MASK



Silhouette Single-Use Low Profile Mask and Breathing Circuit – All In One!



Porter's Silhouette Nasal Mask is available in 4 sizes: *Pedo, Small, Medium and Large*, resulting in an improved fit for your patients.

- Save time on sterilization*
- Low profile
- Scavenging efficiency
- Unobstructed access
- Predictable experience
- Save space in sterilizer*
- Single use mask and tubing
- Improves seal around nose
- Can be used with **any brand flowmeter**

* Compared to requirements of traditional breathing circuits

Here is all you need to convert your existing flowmeter:

Silhouette Retrofit Package (Part # SIL2-RETRO-PKG)

Silhouette Variety Pack (Part # SIL2-VAR-4x3)

View videos and additional information at: www.porterinstrument.com/silhouette

Silhouette Low Profile Nasal Mask (Continued)

Try this exciting new product by ordering a Silhouette Retrofit Package and Variety Pack



SIL2-RETRO-PKG Silhouette Retrofit Package (order one for each flowmeter) Includes: Cannula Adapter, Breathing Bag Cap, 6.5' Fresh Gas/Vacuum Tubing, 4 Color Coded Sizer Masks, and Clip **\$85**

SIL2-VAR-4X3 Variety 12 Pack: 3 of each size - Pediatric, Small, Medium, Large **\$110**



SIL2-PEDO-12 Pediatric Silhouette – 12 Pack **\$100**

SIL2-SM-12 Small Silhouette – 12 Pack **\$100**

SIL2-MED-12 Medium Silhouette – 12 Pack **\$110**

SIL2-LG-12 Large Silhouette – 12 Pack **\$110**

SIL2-PEDO-24 Pediatric Silhouette – 24 Pack **\$185**

SIL2-SM-24 Small Silhouette – 24 Pack **\$185**

SIL2-MED-24 Medium Silhouette – 24 Pack **\$209**

SIL2-LG-24 Large Silhouette – 24 Pack **\$209**



SIL2-CAPNO

Silhouette Parts

SIL-SIZER-4 Silhouette Sizer Masks - Color Coded - 1 For Each Size (included w/ SIL2-RETRO-PKG) **\$33**

B-5581-001 Fresh Gas and Vacuum Tubing, 3/8 + 1/4 X 78" (included w/ SIL2-RETRO-PKG) **\$64**

SIL-ADPT-PKG 3 Pack Adapter Package, Canula Adapter, Clip w/ Strap, Bag Tee Cap **\$29**

SIL-VAC Silhouette Vacuum Block Adjuster **\$50**

SIL2-CAPNO Silhouette Capnography Barbs (25) **\$24**

B-5603-005 Cannula Adapter (5) **\$17**

PA-1630-005 Plastic Strap w/ Clip (5) **\$14**

62905510W5 Bag Tee Cap (5) **\$15**

1585 15mm to 22mm Right Angle Adapter **\$18**

1571-22 22mm Right Angle Adapter **\$39**



SIL2-CAPNO Attached



Porter Breathing Circuits and Vacuum Control



PORTER BREATHING CIRCUITS WITH ADULT HOOD	
5155-3AV	\$1,288
Porter Adult Breathing Circuit w/ AVS	
5155-1	\$913
Porter Adult Breathing Circuit w/ In-Line Vacuum Control	
5155-3	\$774
Porter Adult Breathing Circuit – No Vacuum Control	



PORTER BREATHING CIRCUITS WITH PEDIATRIC HOOD	
5155-4AV	\$1,288
Porter Pediatric Breathing Circuit w/ AVS	
5155-2	\$913
Porter Pediatric Breathing Circuit w/ In-Line Vacuum Control	
5155-4	\$774
Porter Pediatric Breathing Circuit – No Vacuum Control	

**Order 4100-3NL or 4100-2NL Breathing Bag Separate (see page 44)*



PORTER VACUUM CONTROLS	
AVS-5000	\$631
Automatic Vacuum Switch	
AVS-5000S	\$758
Automatic Vacuum Switch w/ Swivel Mount	
AVS-5000QD	\$631
Automatic Vacuum Switch w/ Quick Disconnect	
5501-RK	\$147
In-Line Vacuum Control	



P1407QD Bag Tee not included – order separately

Porter Nasal Hoods



PORTER AUTOCLAVABLE NASAL HOODS

ADULT

5054A	\$366
Porter Adult Double Mask Hood Kit w/ 3 Inner Mask Liners	
5054C	\$328
Porter Adult Double Mask w/ 1 Inner Mask Liner	
5054-1	\$81
Porter Adult Inner Mask Liners (3)	

PEDIATRIC

5054B	\$366
Porter Pediatric Double Mask Hood Kit w/ 3 Inner Mask Liners	
5054D	\$328
Porter Pediatric Double Mask Hood Kit w/ 1 Inner Mask Liner	
5054-2	\$81
Porter Pediatric Inner Mask Liners (3)	

PORTER DISPOSABLE NASAL HOODS

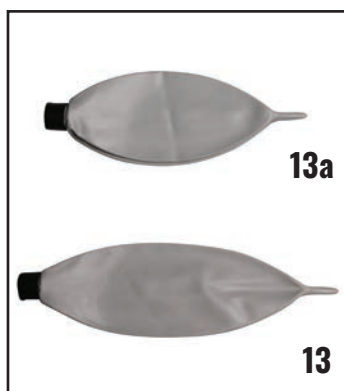
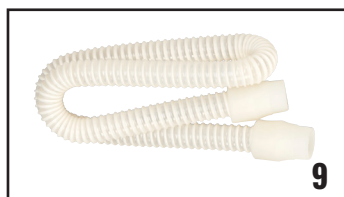
ADULT

5053AD12	\$57
Porter Adult Disposable Inner Mask Liners (12)	
5053AD12C	\$57
Porter Adult Disposable Inner Mask Liners – Citrus (12)	
5053AD144	\$641
Porter Adult Disposable Inner Mask Liners (144)	
5053AD144C	\$641
Porter Adult Disposable Inner Mask Liners – Citrus (144)	

PEDIATRIC

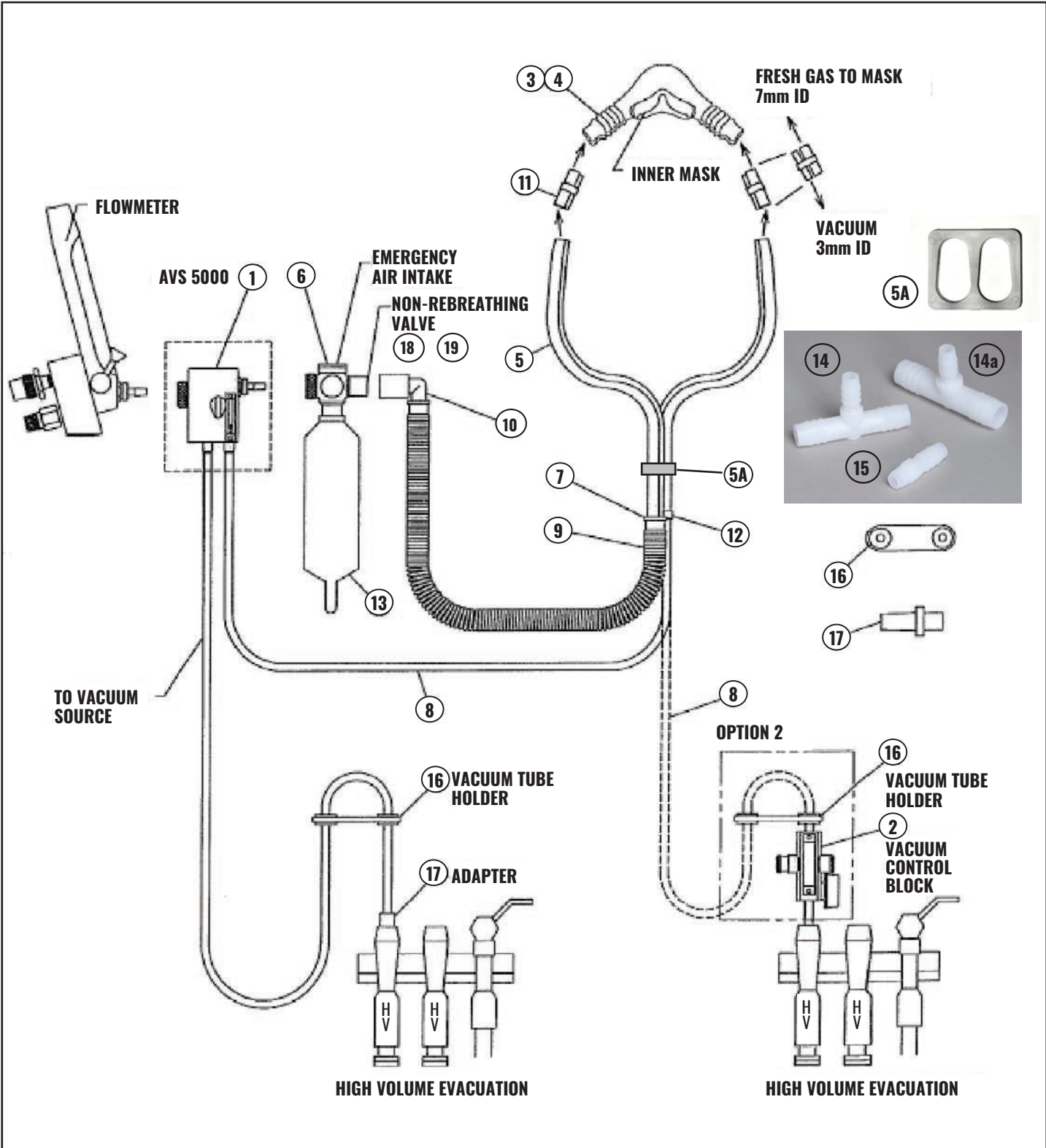
5053PD12	\$57
Porter Pediatric Disposable Inner Mask Liners (12)	
5053PD12C	\$57
Porter Pediatric Disposable Inner Mask Liners – Citrus (12)	
5053PD144	\$641
Porter Pediatric Disposable Inner Mask Liners (144)	
5053PD144C	\$641
Porter Pediatric Disposable Inner Mask Liners – Citrus (144)	

Porter Breathing Circuit Accessories And Parts



ITEM	PART NO.	DESCRIPTION	RETAIL
1	AVS-5000	Automatic Vacuum Switch (AVS)	\$631
2	5501-RK	In-Line Vacuum Control Block Kit	\$147
3	5054A	Porter Adult Hood Kit w/ 3 Liners	\$366
3a	5054C	Porter Adult Hood Kit w/ 1 Liner	\$328
4	5054B	Porter Pedo Hood Kit w/ 3 Liners	\$366
4a	5054D	Porter Pedo Hood Kit w/ 1 Liners	\$328
*	5066	Porter Hood Inner Liner Flapper Valve (3)	\$33
5	5056	Coaxial Tubing – set of 2 (27")	\$280
5a	5057	Coaxial Tension Slide Adjuster	\$29
6	P1407A	Porter Bag Tee	\$321
6a	P1407QD	Porter Quick Connect Bag Tee	\$409
6b	P2407A	Porter Oral Surgery Flowmeter Threaded Bag Tee	\$411
7	5058	Fresh Gas "Y" Connector	\$33
8	5059	Vacuum Hose 8ft. (3/8" ID, 5/8" OD)	\$63
8a	PA-679-000	Vacuum Hose Per Foot	\$12
9	5060-3	Fresh Gas Autoclavable Corrugated Tubing 3ft. (22mm ID, 7/8" OD)	\$89
9a	5060-6	Fresh Gas Autoclavable Corrugated Tubing 6 ft. (22mm ID, 7/8" OD)	\$113
10	1571-22	22mm Right Angle Flowmeter Adapter	\$39
10a	1570-24	24mm Right Angle Flowmeter Adapter	\$53
11	5061	Mask to Tubing Plastic Connectors (Set of 2)	\$40
12	5062	Vacuum Hose "Y" Connector	\$36
13	4100-3NL	3 Liter Bag, Non-Latex	\$58
13a	4100-2NL	2 Liter Bag, Non-Latex	\$58
14	5063	1/2" with 3/8" T Adapter	\$18
14a	5068	5/8" with 3/8" T Adapter	\$18
15	5064	3/8" w/ 1/8" NPT Straight Adapter	\$18
16	5065	Vacuum Tube Holder	\$33
17	A-3679-000	HVE Adapter, Black, 3/4" Round (VAC/MASK)	\$42
18	A-4297-000	Porter Bag Tee Flapper / Exhalation Valve Assembly	\$42
19	4650	Porter Bag Tee Flapper / Exhalation Valve Only	\$18

Porter Breathing Circuit Accessories And Parts



Matrix Breathing Circuits, Nasal Hoods, and Vacuum Control



Matrix Scavenger - W/3-Liter Breathing Bag and Scavenger Control Valve
82501 Matrix Scavenger Large \$959
82502 Matrix Scavenger Medium \$959
82503 Matrix Scavenger Pediatric \$959

Matrix Scavenger - W/3-Liter Breathing Bag
82504 Matrix Scavenger Large \$710
82505 Matrix Scavenger Medium \$710
82506 Matrix Scavenger Pediatric \$710

Matrix Scavenger Assemblies Only
91515192 Matrix Scavenger Large \$663
91515193 Matrix Scavenger Medium \$663
91515194 Matrix Scavenger Pediatric \$663



Matrix Scavenger Without Hood
91515197 Matrix Scavenger w/out Hood \$542

Autoclavable Nasal Hoods - Matrix Scavenger
91515096 Large Nasal Hood Only \$115
91515095 Medium Nasal Hood Only \$115
91515094 Pediatric Nasal Hood Only \$115



Miscellaneous Replacement Parts
4100-3NL 3-Liter Breathing Bag NON-LATEX \$58
4100-2NL 2-Liter Breathing Bag NON-LATEX \$58



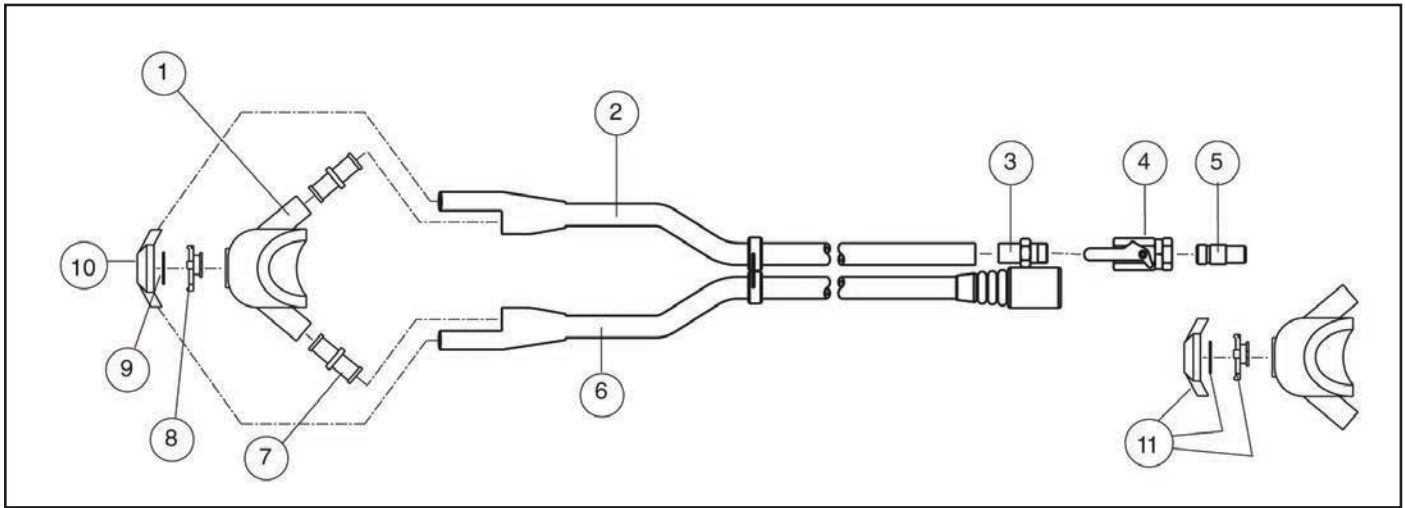
Matrix Scavenger Control Valves
91515083 For MDM/RA \$345
77000963 Replacement Knob \$52
91525109 For Digital MDM \$327
77000961 Replacement Knob \$69
91515085 With Ohio Quick-Connect Adapter \$412
91515086 For Cabinet Mounting \$334



Quick Connect Vacuum Hose Adapter
92515063-8 Quick Connect Hose \$253
 For Connecting Scavenger + \$4/ft. to Vacuum Outlet: Ohio QC x 1/4" NPT



Matrix Scavenger Parts



ITEM	PART NO.	DESCRIPTION	RETAIL
1	91515094	Pediatric Autoclavable Nasal Hood	\$115
1	91515095	Medium Autoclavable Nasal Hood	\$115
1	91515096	Large Autoclavable Nasal Hood	\$115
2	91515202	Replacement Vacuum Tubing	\$148
3	91515158	Replacement Vacuum Nipple (small orifice)	\$38
4	91515159	Replacement Shut-off Valve	\$89
5	91515205	Replacement Vacuum Adapter	\$20
6	91515203	Replacement Gas Tubing w/slide	\$148
7	91515201	Replacement Hood/Hose Connector (2/pk)	\$30
8	91515207	Replacement Cage Valve	\$52
9	91515162	Replacement Non-Breathing Valve (5 pk)	\$20
10	91515208	Replacement Matrix Scavenger Cone	\$69
11	91515177	Replacement Matrix Scavenger Cone Assembly	\$116



Matrix DynoMite Single-Use Nasal Hoods



The only scented, single-use nasal hoods that come packaged with a colorful cartoon sticker.

- 3 size options and 5 scent options
- Universal adapter available

DynoMite 24 Pack w/ Canister

91316482	Bubble Gum Small	\$152
91316519	Bubble Gum Medium	\$152
91316489	Bubble Gum Large	\$152
91316483	Strawberry Small	\$152
91316520	Strawberry Medium	\$152
91316490	Strawberry Large	\$152
91316484	Orange Small	\$152
91316521	Orange Medium	\$152
91316491	Orange Large	\$152
91316485	Vanilla Small	\$152
91316522	Vanilla Medium	\$152
91316492	Vanilla Large	\$152
91316486	Plain Small	\$152
91316523	Plain Medium	\$152
91316493	Plain Large	\$152
91316487	Assorted Scents Small	\$152
91316524	Assorted Scents Medium	\$152
91316494	Assorted Scents Large	\$152
91316495	Assorted Scents Various	\$152

Universal Conversion Kit

91515142	DynoMite Nasal Hood	\$111
	Universal Conversion Kit	
	Easily retrofit Porter, Accutron and Belmed breathing circuits to use Matrix Dynomite nasal hoods.	



DynoMite 12 Pack Bag

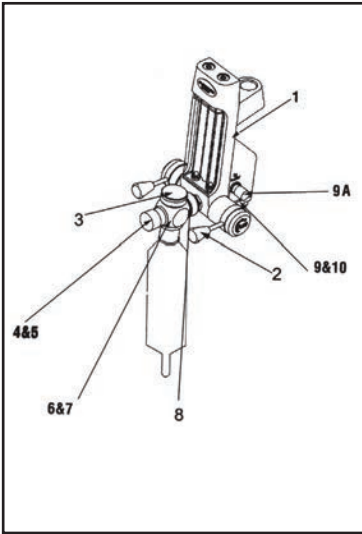
91316496	Bubble Gum Small	\$72
91316503	Bubble Gum Medium	\$72
91316510	Bubble Gum Large	\$72
91316497	Strawberry Small	\$72
91316504	Strawberry Medium	\$72
91316511	Strawberry Large	\$72
91316498	Orange Small	\$72
91316505	Orange Medium	\$72
91316512	Orange Large	\$72
91316499	Vanilla Small	\$72
91316506	Vanilla Medium	\$72
91316513	Vanilla Large	\$72
91316500	Plain Small	\$72
91316507	Plain Medium	\$72
91316514	Plain Large	\$72
91316501	Assorted Scents Small	\$72
91316508	Assorted Scents Medium	\$72
91316515	Assorted Scents Large	\$72
91316516	Assorted Scents Various	\$72

DynoMite 24 Pack Bag

91316461	Bubble Gum Small	\$134
91316468	Bubble Gum Medium	\$134
91316475	Bubble Gum Large	\$134
91316462	Strawberry Small	\$134
91316469	Strawberry Medium	\$134
91316476	Strawberry Large	\$134
91316463	Orange Small	\$134
91316470	Orange Medium	\$134
91316477	Orange Large	\$134
91316464	Vanilla Small	\$134
91316471	Vanilla Medium	\$134
91316478	Vanilla Large	\$134
91316465	Plain Small	\$134
91316472	Plain Medium	\$134
91316479	Plain Large	\$134
91316466	Assorted Scents Small	\$134
91316473	Assorted Scents Medium	\$134
91316480	Assorted Scents Large	\$134
91316481	Assorted Scents Various	\$134

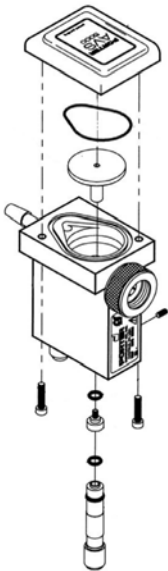


Flowmeter Parts for Porter MXR, Porter Oral Surgery, Porter Standard Models and AVS Parts



MXR and Standard Flowmeters

STOCK NO.	DESCRIPTION	
1. PA-236-001	Flow Tube Cover Models 3000 and 1100	\$52
1a. PA-236-PL	Flow Tube Cover Model 2000	\$52
2. P2400	Sterile Knob Kit, Set of 2	\$114
3. A-2134	Emergency Air Intake Valve Assembly	\$137
4. A-4297-000	Non-rebreathing Check Valve Assembly	\$42
5. 4650	Flapper Valve Only	\$18
6. P1407A	Bag Tee Assembly	\$321
P1407QD	Bag Tee Assembly, Quick Disconnect	\$409
7. P2407A	Oral Surgery Bag Tee Assembly (threaded)	\$411
7a. A-1890-TF4	Teflon Washer for Oral Surgery Y Valve	\$14
8. A-3379-000	Cannula / Bag Tee Adapter	\$115
8a. PA-296-001	Viton Sealing Washer for Bag Tees	\$5
9. A-1762	On / Off Switch Assembly	\$124
9a. PA-128-PL3	Green Knob for On/Off Switch	\$18
10. A-4059-000	On / Off Switch Rebuilt Kit	\$33



Automatic Vacuum Switch Parts

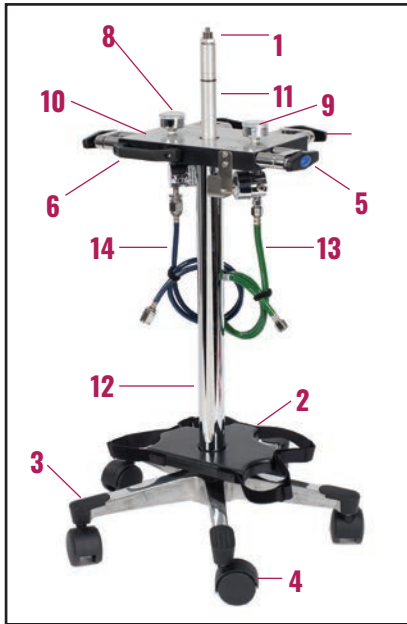
AVS-KIT	AVS Rebuild Kit	\$87
B-3814-KIT	AVS Sight Glass Repair Kit	\$59



Sentry Sedate Replacement Parts – Keys & Lock

PA-1687-001	Sentry Keys (2016-Present)	\$41
PA-1687-002	Sentry Keys (2014-2015)	\$41
PA-1687-000	Sentry Keys (2013)	\$41
C-1695-002	Sentry Lock Kit (1)	\$77

Porter and Matrix E-Stand and Mobile Cart Parts



E-STAND AND MOBILE CART PARTS (TALL OR SHORT)

1. A-3369-000	Porter / Matrix Mounting Stud w/ Washer (for all Porter / Matrix Mobile Stands)	\$63
2. C-1658-000	5 Star Wheel Base Cylinder Restraint	\$148
3. 91505113	5 Star Wheel Base	\$224
4. PA-234-004	Caster, Locking (1)	\$48
5. A-4060-000	Cylinder Yoke "T" Handle (1)	\$41
6. PA-1182-000	E-Block Handle	\$33
7. A-2508-003	Breathing Circuit Hook	\$46
8. 64900422	N ₂ O E-Stand Pressure Gauge	\$89
9. 64900423	O ₂ E-Stand Pressure Gauge	\$89
* A-3399-000	Yoke Gasket Washer (1)	\$3
* PA-1185-000	Cylinder Wrench with Chain	\$16
* A-4434K	Check Valve Repair Kit (1)	\$98
* A-4544-000	Post Thumb Screw Assembly	\$9
* 649004C	Pressure Gauge Cover** (threaded)	\$53
* 649004RC	Pressure Gauge Cover** (snap on)	\$53

TALL E-STAND MOBILE CART PARTS

10. C-1738-001	Tall E-Stand E-Block Assembly (for 5 star base)	\$2,941
11. A-3372-000	Tall E-Stand Inner Post Assembly (with mounting stud)	\$174
12. B-1883-001	Tall E-Stand Post / Tube Assembly	\$362
13. 8003	O ₂ Hose, 3 ft, DISS / DISS	\$175
14. 8503	N ₂ O Hose, 3ft, DISS / DISS	\$175

SHORT E-STAND MOBILE CART PARTS

15. C-1738-001	Short E-Stand E-Block Assembly (for 5 star base)	\$2,941
16. B-4669-000	S Bracket Assembly	\$135
17. A-4052-000	Short E-Stand Inner Post Assembly	\$190
18. B-4668-000	Short E-Stand Post / Tube Assembly	\$362
19. 8082	O ₂ Hose, 2 ft., DISS / DISS w/ 90° Angle Elbow	\$218
20. 8582	N ₂ O Hose, 2 ft., DISS / DISS w/ 90° Angle Elbow	\$219

MOBILE STAND PARTS

21. B-1883-000	Compact Mobile Stand Post / Tube Assembly (2040)	\$293
* B-1883-001	Tall Mobile Stand Post / Tube Assembly (2042)	\$362
22. PA-1313-000	Mobile Stand Inner Post Knob Screw	\$20

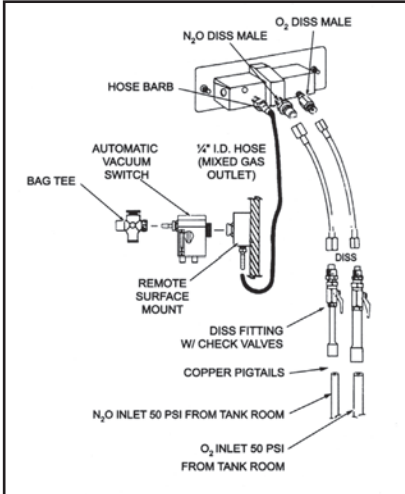
E-Stand Regulators are not field serviceable / replaceable.

*Part not shown

**4RC part used on all E-blocks w/ serial starting after:

• 2045-3: 5425 • 2045-SHORT3: 2095 • SENTRY: 1675

Flush Mount Flowmeter Accessories



FLEXIBLE INSTALLATION

STOCK NO.	DESCRIPTION	
PA-450-1-001	1/4" ID Green O ₂ Hose, 20 ft.	\$115
PA-450-1-000	1/4" ID Green O ₂ Hose, 10 ft.	\$87
A-2633-000	Through Wall Adapter Assy. for Bag Tee	\$220
A-1679	Remote Surface Mount for Bag Tee Assembly	\$215
B-2460-KIT	Pre-Install Kit – Piped Outlet Connection, O ₂ and N ₂ O	\$340
B-2460-003	O ₂ Piped Outlet Connection, DISS Check Valve	\$176
B-2461-003	N ₂ O Piped Outlet Connection, DISS Check Valve	\$176
PA-1501-000	O ₂ DISS Check Valve Assembly for -003	\$118
PA-1502-000	N ₂ O DISS Check Valve Assembly for -003	\$118
A-2508-000	Rubber Goods Hook	\$52
P1407A	Bag Tee Assembly	\$321
P1407QD	Porter Bag Tee Assembly – Quick Disconnect	\$409
8008	O ₂ DISS / DISS Hose, 8ft.	\$199
8508	N ₂ O DISS / DISS Hose, 8ft.	\$199

ACCESSORIES

STOCK NO.	DESCRIPTION	
B-4988	Bezel Mounting Bracket for MXR-1 and MXR-D (For MXR-D – new power supply required)	\$169

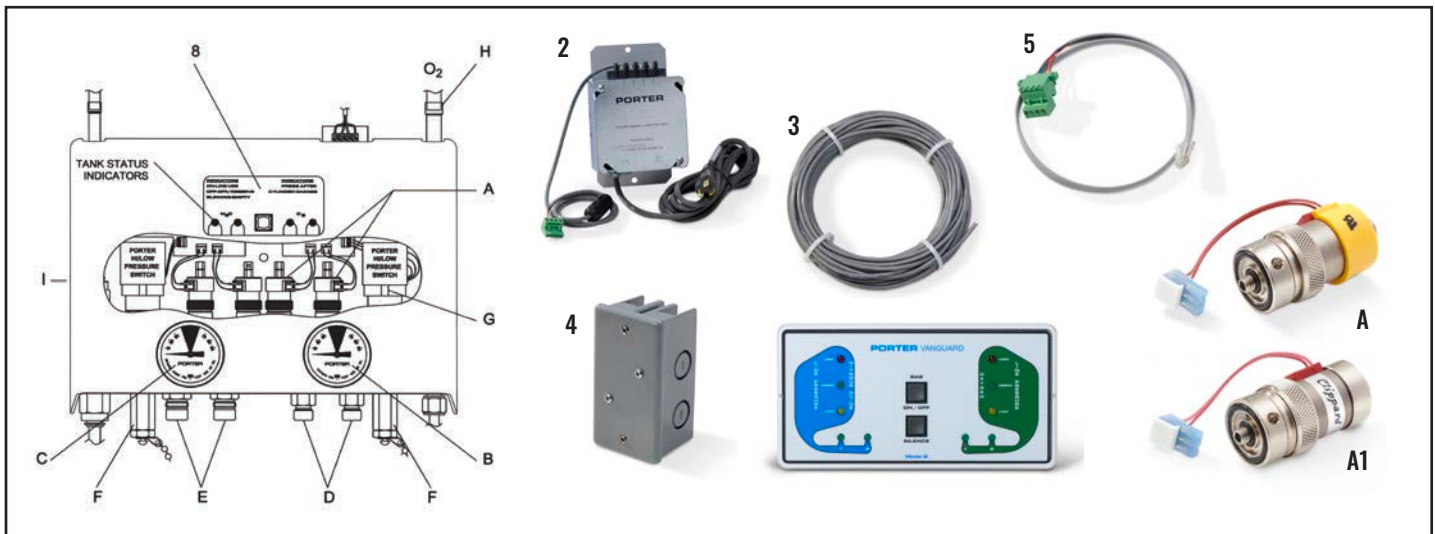
GAS SUPPLY FITTINGS ONLY

STOCK NO.	DESCRIPTION	
A-1675	Porter O ₂ DISS / Male DISS Fitting	\$137
PA-866-000	O ₂ DISS / NCG (Chemetron) Fitting	\$169
PA-864-000	N ₂ O DISS / NCG (Chemetron) Fitting	\$169
PA-867-000	O ₂ DISS / Puritan (McKesson & Fraser Harlake) Fitting	\$169
PA-865-000	N ₂ O DISS / Puritan (McKesson & Fraser Harlake) Fitting	\$169
PA-927-000	O ₂ DISS / Schrader Twist Fitting	\$181
PA-928-000	N ₂ O DISS / Schrader Twist Fitting	\$181
PA-871-000	O ₂ DISS / Oxequip Fitting	\$181
PA-872-000	N ₂ O DISS / Oxequip Fitting	\$181
PA-868-000	O ₂ DISS / Ohio Medical (Matrx) Fitting	\$181
PA-869-000	N ₂ O DISS / Ohio Medical (Matrx) Fitting	\$181
91505068	O ₂ , Matrx (OHIO) Female / 1/4" MNPT	\$354
PA-1362-000	O ₂ DISS F x M 90 Degree Adapter	\$55
PA-1727-000	O ₂ DISS / 90 Degree Swivel Elbow	\$139
PA-1728-000	N ₂ O DISS / 90 Degree Swivel Elbow	\$139

GAS SUPPLY TUBING

STOCK NO.	DESCRIPTION	
B-1329-5	Porter Duplex Hose, O ₂ / N ₂ O, Male DISS / Porter, 5ft.	\$359
SPECIAL ORDER ALL SALES FINAL		
	N ₂ O, Schrader Male / DISS Female, 5ft.	\$286

Vanguard Manifold and Zone Valve Parts

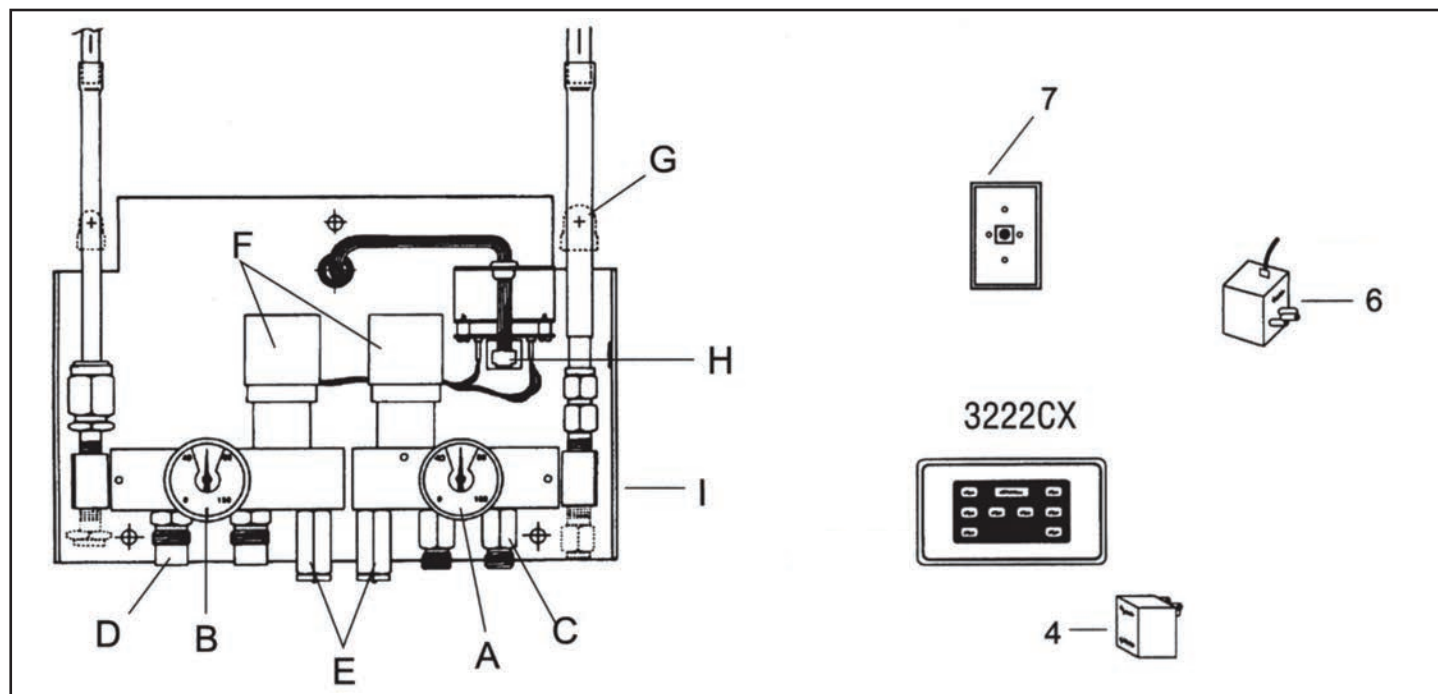


STOCK NO.	DESCRIPTION	
A. A-2521-001	Electric Pneumatic Solenoid – Yellow Band	\$172
A1. A-4258-000	(Normal Open) model No & NOHF – Silver Band	\$168
B. PA-1433-000	O ₂ Gauge 0-150-psi	\$90
C. PA-1433-001	N ₂ O Gauge 0-150-psi	\$90
D. B-1322	O ₂ DISS Check Valve Assembly	\$99
E. B-1323	N ₂ O DISS Check Valve Assembly	\$99
F. B-1324	Pressure Relief Valve Assembly	\$125
G. C-394-001	Pressure Switch Assembly	\$337
H. A-2144	Diss / Copper Pigtails (straight) Oxygen - 1/2 O.D. copper x DISS O ₂ female Nitrous Oxide - 3/8 O.D. copper x DISS N ₂ O female	\$168
1. A-4558-000	Molded Plastic Vanguard Manifold Cover Complete	\$187
2. C-1648-000	Power Supply	\$302
3. KA18028-020	75ft PVC Cable, #22 AWG, 4 Conductor for Vanguard	\$225
KA18028-021	75ft Teflon Cable#22 AWG, 4 Conductor for Vanguard	\$418
KA18028-000	PVC Cable, #22 AWG, 4 Conductor for Vanguard - PER FOOT-CUSTOM LENGTH	\$4/ft.
KA18028-001	Teflon Cable, #22 AWG, 4 Conductor for Vanguard - PER FOOT-CUSTOM LENGTH	\$5/ft.
3a. KA11657-000	Terminal Block	\$39
4. B-1811-000	Concealed Interconnect Assembly for Wall Alarm	\$208
5. 5700-EZ	Cable Assembly	\$82
7. A-2522-000	Signal Interconnect Assembly for Desk Alarm	\$212
8a. A-3381-001	Vanguard Manifold PC Board Assembly Only(model "A" only)	\$1,066
8b. A-3381-003	Vanguard Manifold PC Board Assembly Only (model No & NOHF & NOHF-1)	\$1,035
PA-514-000	Oxygen Pipeline Label, vinyl	\$3
PA-515-000	Nitrous Oxide Pipeline Label, vinyl	\$3
C-1440-001	9000-2 Vanguard Zone Valve Pressure Switch Assembly	\$769
5700-100P	100' Plenum Modular Cable	\$406
9000-FACEPLATE	9000 – Faceplate Assembly	\$200

Matrix Manifold Retrofit Elbows

B-5496-000	N ₂ O Elbow	\$76
B-5497-000	O ₂ Elbow	\$76

Sentinel Manifold and Zone Valve Parts



STOCK NO.	DESCRIPTION	
A. PA-1433-000	O ₂ Gauge, 0-150 psi	\$90
B. PA-1433-001	N ₂ O Gauge, 0-150 psi	\$90
C. B-1322	O ₂ DISS Check Valve Assembly	\$99
D. B-1323	N ₂ O DISS Check Valve Assembly	\$99
E. B-1324	Pressure Relief Valve Assembly	\$125
F. C-394-000	Pressure Switch Assembly	\$337
G. A-2144	DISS/Copper Pigtails (straight)	\$168
	Oxygen-1/2 O.D. copper x DISS O ₂ female	
	Nitrous Oxide- 3/8 O.D. copper x DISS N ₂ O female	
H. A-2041	Sentinel Interconnect Board Assembly	\$108
I. D-160-PL	Molded Plastic 3222MX Cover	\$88
1. 5775	75' Sentinel Modular Connector Cable(standard)	\$214
5700-150	150' Sentinel Modular Connector Cable(special order)	\$288
5700-200	200' Sentinel Modular Connector Cable(special order)	\$325
2. 5700	50' Sentinel Modular Connector Cable	\$187
3. 5700-100P	100' Plenum Modular Connector Cable (custom – no returns)	\$406
4. C-1783-000	Power Supply for Wall Sentinel	\$200
6. C-1783-001	Power Supply for Desk Sentinel	\$200
7. A-2083	Modular Cable Connector Box	\$222
PA-636	Sentinel Light Bulb All Glass	\$9
PA-571	Sentinel Light Bulb Old Bayonet Style	\$14
8. C-1440-000	Sentinel Zone Valve Pressure Switch Assembly	\$769
9000-FACEPLATE	9000 – Faceplate Assembly	\$200

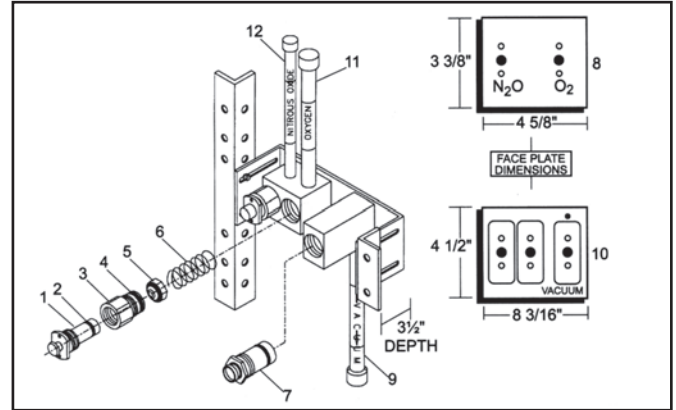
See page 33 for additional Sentinel Manifold parts.

Outlet Station Replacement Parts

For Models 6100-1, 6200-1, 6300-1, 6256-1, 6256-3, 6258-1, 6255-1

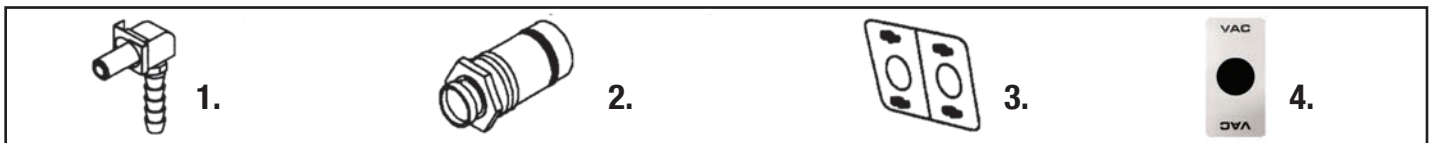
PORTER Instrument advises replacing both N₂O and O₂ check valves when servicing Outlet Stations.

Numbers 3 through 6 represent the Secondary Check Valve Assembly. This valve is only in use when the Primary Check Valve is removed for servicing and will NOT remedy a leaking outlet station.



STOCK NO.	DESCRIPTION	
6200K	Outlet Station Repair Kit Includes N₂O, O₂ primary check valves and O-rings for 6200, 6256, 6300	\$215
1. *A-1655-A	O ₂ Primary Check Valve Assembly for 6100, 6200, 6256, 6300	\$109
*A-1655-B	N ₂ O Primary Check Valve Assembly for 6200, 6256, 6300	\$109
6200-1K	Outlet Station Repair Kit Includes N₂O, O₂ primary check valves and O-rings for 6200-1, 6256-1, 6256-3, 6300-1, 6258-1, 6255-1	\$169
1. A-2689-000	O ₂ Primary Check Valve Assembly(slotted back)	\$88
A-2690-000	N ₂ O Primary Check Valve Assembly(slotted back)	\$88
2. PB-102-104NE	014 O-ring for O ₂ or N ₂ O Primary Check Valve, outside	\$5
3. B-2237-000	O ₂ Cartridge Body	\$44
B-2275-000	N ₂ O Cartridge Body	\$44
4. PB-102-215	016 O-ring	\$5
5. A-2699-000	Secondary Check Valve Assembly with O-ring	\$31
6. PB-115-63SS	Compression Spring	\$5
7. B-1231-003	Vacuum Check Valve Assembly	\$98
A-3356-000	5600-3 Vacuum, Face Plate Kit	\$80
8. B-2568-000	6200-1 Dual, Face Plate Kit	\$66
9. LB-119-000	Vacuum Pipeline Label	\$3
B-2737-001	Single O ₂ face Plate Kit (6100-1)	\$103
10. B-2737-003	6256-3 Triple, Face Plate Kit	\$137
B-2737-004	6255-1 Triple Face Plate Kit	\$137
B-2737-005	6258-1 Faceplate and Screws	\$137
B-2737-006	6258-1B Faceplate and Screws	\$137
11. PA-514-000	O ₂ Pipeline Label Vinyl	\$3
12. PA-515-000	N ₂ O Pipeline Label Vinyl	\$3

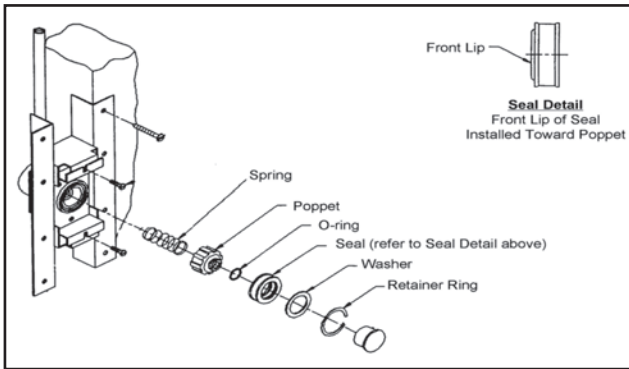
Note: Primary and secondary check valve assemblies marked () above are for outlet stations manufactured prior to February 1986 only.



5602-RK	In-Line Vacuum to 6256-1 Retrofit Kit includes:	\$256
1. 5602	Vacuum Quick Connect	\$164
2. B-1231-003	New Notched Vacuum Check Valve Assembly	\$98
3. LB-169	O ₂ / N ₂ O Label	\$5
4. LB-343-000	Vacuum Label	\$5



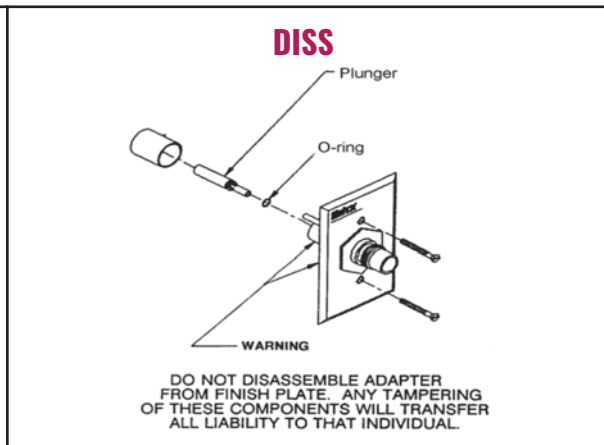
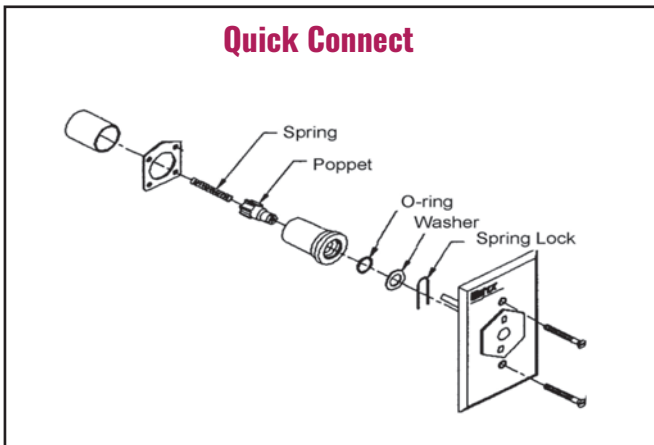
Rough-in Repair Kits for Matrix (Ohio Medical style) Medical Gas Outlets



REPAIR KIT FOR:	PART NUMBER	PRICE
Rough-in Kit for N ₂ O, O ₂ , and Air	91309044	\$24
Rough-in Kit for Vacuum (WAGD only)	91309045	\$25
Rough-in Kit for N ₂ Only	91309043	\$44



Finish Plate Repair Kits for Matrix (Ohio Medical style) Q D and DISS Medical Gas Outlets



PART NUMBER	PRICE
91309042	\$16
REPAIR KIT FOR: FINISH PLATE	
Quick Connect N ₂ O, O ₂ , Vacuum, WAGD & Air	

PART NUMBER	PRICE
91309046	\$48
DISS O ₂	
91309047	\$46
DISS Vacuum, WAGD	
91309048	\$61
DISS Air, N ₂ or N ₂ O	

Porter Reliant Parts

021008	Bacterial Filter	\$165
021206	Door Gasket	\$165
0230050	Cleaning Tablets (10)	\$117
105320	Water Filter	\$30
105321	Filter Holder	\$79
105363	Water Dam – Orange	\$35

Reliant and Purity systems have been discontinued. Parts (other than for routine maintenance) subject to availability. Call for more information.

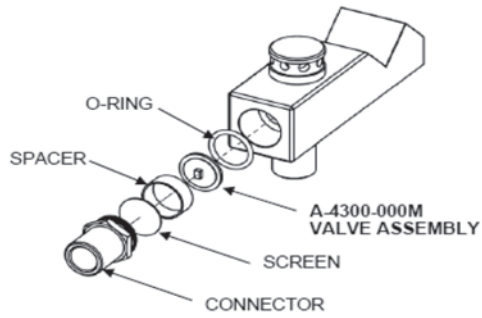
Matrix Non-Rebreathing Valve Replacement And Instructions



Part Number
A-4300-000M

Price
\$48

MDM / RA Bag Tee

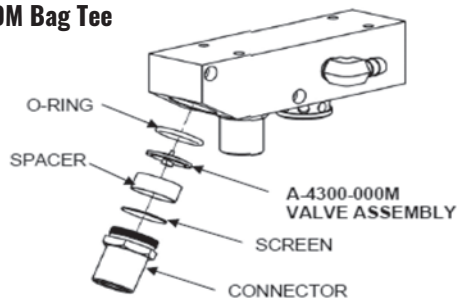


Retrofit Instructions for A-4300-000M Kit

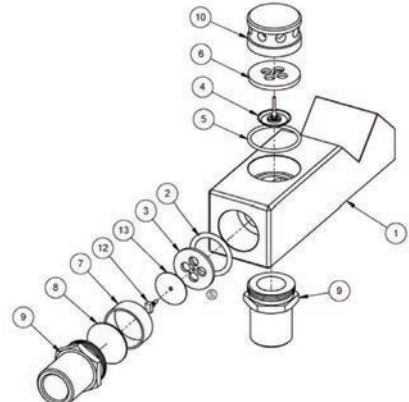
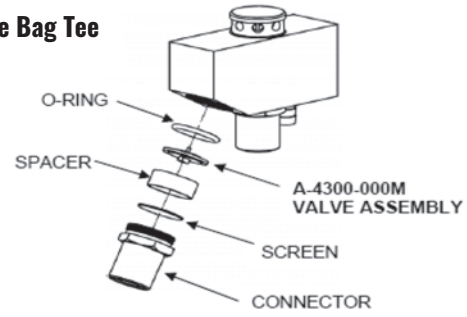
Instructions:

1. Unscrew the connector from the block.
2. Remove the screen, spacer and the old Non-Rebreathing Valve Assembly.
3. Discard the OLD Non-Rebreathing Valve Assembly.
4. Insert new A-4300-000M Valve Assembly. Orientate as shown.
5. Re-Insert Spacer.
6. Re-Insert Screen.
7. Re-Screw in the Connector.

DMDM Bag Tee



Remote Bag Tee

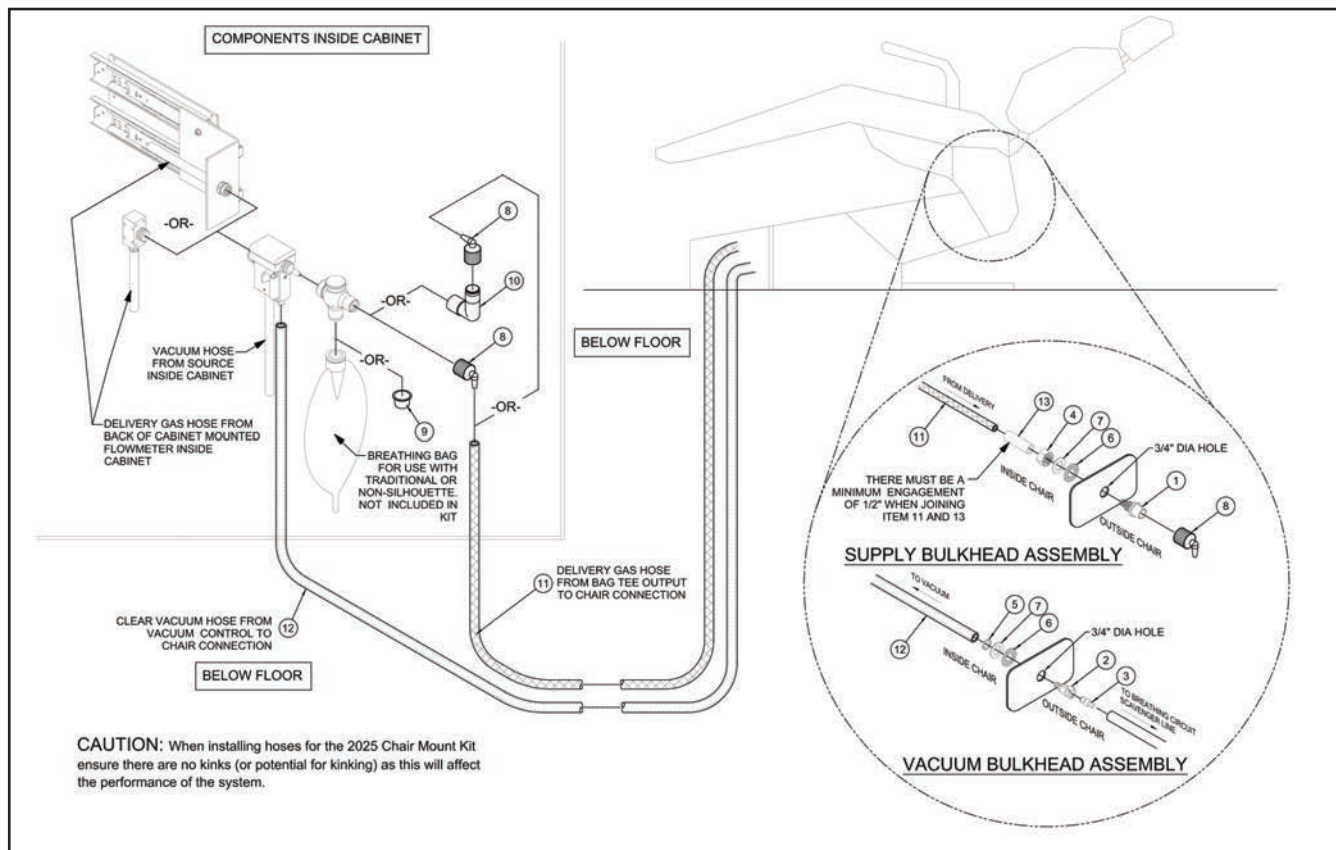


MDM & RA Outlet Housing Spare Parts

Item #	Part Number	Description	Price
1	30017600 – Complete Housing – includes all parts listed below (1-10)	Outlet Housing	\$285
2	63200129	O-ring	\$2
Assembly consisting of 3, 12, & 13	A-4300-000M	Non-Rebreathing (NRB) Valve Assembly	\$48
4	61302500	Mushroom Valve	\$35
5	63200128	O-ring	\$2
6	20178602	Air Inlet Adapter	\$44
7	10431102	Spacer	\$10
8	65941800	Screen	\$5
9	10221600	Breathing Bag & Fresh Gas Connector	\$52
10	20132800	Air Inlet Valve Cap	\$29

Porter 2025 Chair Mount Kit

Schematic and Parts:



2025 Chair Mount Kit consists of the following:

1. B-5568-000 Bulkhead Connector	QTY: 1 \$59	9. 62905510W Caplug (12), White	QTY: 1 \$15
2. PA-1633-000 Bulkhead Coupler, Valved (includes PA-1634-000)	QTY: 1 \$36	10. 1571-22 Connector (22mm) M/F, 90° Elbow	QTY: 1 \$39
3. PA-1635-000 Unvalved Nipple	QTY: 1 \$14	11. PA-1640-001 Hose, Braided, 5/16" ID, 25' L Hose, Clear w/ White Braid	QTY: 1 \$144
4. PA-1636-000 Hex Nut, Nylon, 3/4-10	QTY: 1 \$14	12. PA-679-CLR25 Vacuum Tubing, 9/16 OD, 3/8 ID, PVC, Clear, 25' L	QTY: 1 \$131
5. PA-1634-000 Coupler Nut	QTY: 1 \$14	13. A-4484-000 Tubing, 0.625 OD-3/8 ID, Grey, 2" L	QTY: 1 \$13
6. PA-1637-000 Washer, Sealing, Neoprene	QTY: 2 \$14 ea.	14. PA-1639-000 Hole Plug, 3/4", White	QTY: 2 \$13 ea.
7. PA-1638-000 Washer, Flat, Nylon	QTY: 2 \$14 ea.		
8. B-5603-000 Elbow, 22mm x 7mm	QTY: 2 \$7 ea.		

Flush Mount Flowmeters Mounted



Portable E-Cylinder System vs. Central System Gas Cost Comparison*

Cylinder Size	Gas	Cylinder Capacity (Liters)	Cost Per Cylinder	Cost Per Cylinder	Gas Delivery	1/2 Hour Procedure			Total Gas Usage		Cost	Patients Per Week	Weeks Per Year	Total Procedures	Total Gas Cost
						Total Minutes	Gas	LPM	Total Gas LPM	Gas					
E	O ₂	625	\$25.00	\$0.040	Pre-O ₂	5	O ₂	6	30	O ₂	150				
E	N ₂ O	1590	\$45.00	\$0.028	Procedure	30	N ₂ O	3	90	N ₂ O	90				
					Post-O ₂	30	O ₂	3	90						
						5	O ₂	6	30	E Cylinder Tank 1/2 Hr Procedure	\$8.55	10	50	500	\$4,273.58
												20	50	1000	\$8,547.17
H	O ₂	7985	\$35.00	\$0.004	Pre-O ₂	5	O ₂	6	30	O ₂	150				
H	N ₂ O	16057	\$87.00	\$0.005	Procedure	30	N ₂ O	3	90	N ₂ O	90				
					Post-O ₂	30	O ₂	3	90						
						5	O ₂	6	30	H Cylinder Tank 1/2 Hr Procedure	\$1.15	10	50	500	\$572.56
												20	50	1000	\$1,145.12
											10 Uses Per Week =		Gas Savings	\$3,701.02	
											20 Uses Per Week =		Gas Savings	\$7,402.05	
											Central System Office - ROI Example				
											Nitrous Fee	\$ 50.00			
											Revenue	\$ 50,000	Profit	\$ 48,855	
											Nitrous Fee	\$ 75.00			
											Revenue	\$ 75,000	Profit	\$ 73,855	
											Insurance Billing Code: D9230				

Gas Cost Difference Per Procedure \$7.40

PORTER
NITROUS SYSTEMS

The Trusted Name In Nitrous

Porter Instrument 215-723-4000
245 Township Line Rd
Hatfield, PA 19440
www.PorterInstrument.com/dental
porternitrous@porter.com

***Disclaimer:**

Cost per cylinder may vary. Above pricing does not take into consideration additional delivery and rental fees. Gas delivery protocol is an example only. Individual practitioner must determine proper administration protocol.



FLUSH MOUNT
FLOWMETERS

UPRIGHT
FLOWMETERS

ORAL
SURGERY

MANIFOLD
SYSTEMS

OUTLETS
AND HOSES

BREATHING
CIRCUITS

MISCELLANEOUS
PARTS

PORTER

NITROUS SYSTEMS

The Trusted Name In Nitrous

Porter Instrument

245 Township Line Rd. Hatfield, PA 19440

Phone: 215-723-4000 or 888-723-4001

Fax: 215-723-5106

Email: porternitrous@parker.com

Website: www.PorterInstrument.com/dental

