

IMPORTANT INFORMATION

NOTES:

- 1) Flush mount zone valve is designed to be installed onto studs located on 16 inch centers with gas supply coming in the top and out the bottom of zone valve.

- 2) Check to insure that:
 - a) Gas supply lines are centered between studs and are on 7 3/8 inch centers.

 - b) Nitrous oxide supply line is 3/8 O.D. tubing and located to the left.

 - c) Oxygen supply line is 1/2 O.D. tubing and located to the right.

 - d) Signal cable is properly routed and length is sufficient to make connection from zone valve to alarm station.

DATE	9/4/86	ECN	DR BG	CH HN	AP	SHT 1 OF 3
PORTER	Parker Hannifin Corporation Porter Instrument Division 245 Township Line Rd. P.O. Box 907 Hatfield, PA 19440-0907 USA (215) 723-4000 / fax (215) 723-5106			INSTALLATION INSTRUCTIONS ZONE VALVE	NUMBER 0055810E	REV.
					FM-389	E

FLUSH MOUNT ZONE VALVE - MODEL 9000-1 AND C9000

INSTALLATION PROCEDURE

1. With black bezel and lexan window removed, position chassis assembly in place. See Figure 1.
2. Check to insure that chassis is level. Nail main chassis to studs using drywall nails (not supplied). See Figure 1.
3. Silver solder (Braz) gas lines in place. Ref. NFPA Gas and Vacuum Systems Code Requirements.
4. Feed signal cable through hole "A" and plug into signal distribution jack. See Figure 1.

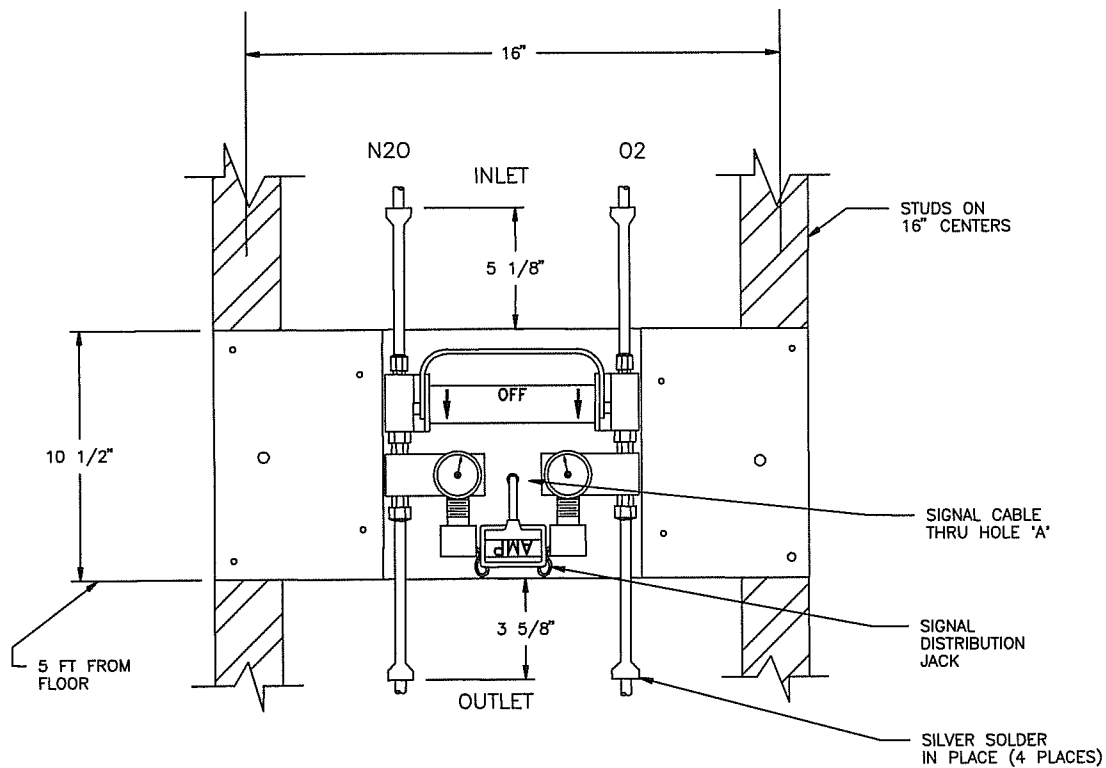


FIG. 1

5. System must now be pressure tested per NFPA Gas and Vacuum Systems Code pressure test requirements.
6. Dry wall is now to be installed and painted.

DATE	9/4/86	ECN	DR BG	CH HN	AP	SHT 2 OF 3
PORTER	Parker Hannifin Corporation Porter Instrument Division 245 Township Line Rd. P.O. Box 907 Hatfield, PA 19440-0907 USA (215) 723-4000 / fax (215) 723-5106			INSTALLATION INSTRUCTIONS ZONE VALVE	NUMBER 0055810E	REV.
					FM-389	E

7. Cutting opening: See Figure 2.
 - A) Width to be cut flush with width of fixed (main) Chassis. Approximately 9 in.
 - B) Height to be cut flush with height of fixed (main) Chassis. Approximately 10 1/2 in.
 - C) Use bezel as template to mark location of clearance holes for mounting screws. Drywall wall act as a spacer between chassis and bezel.

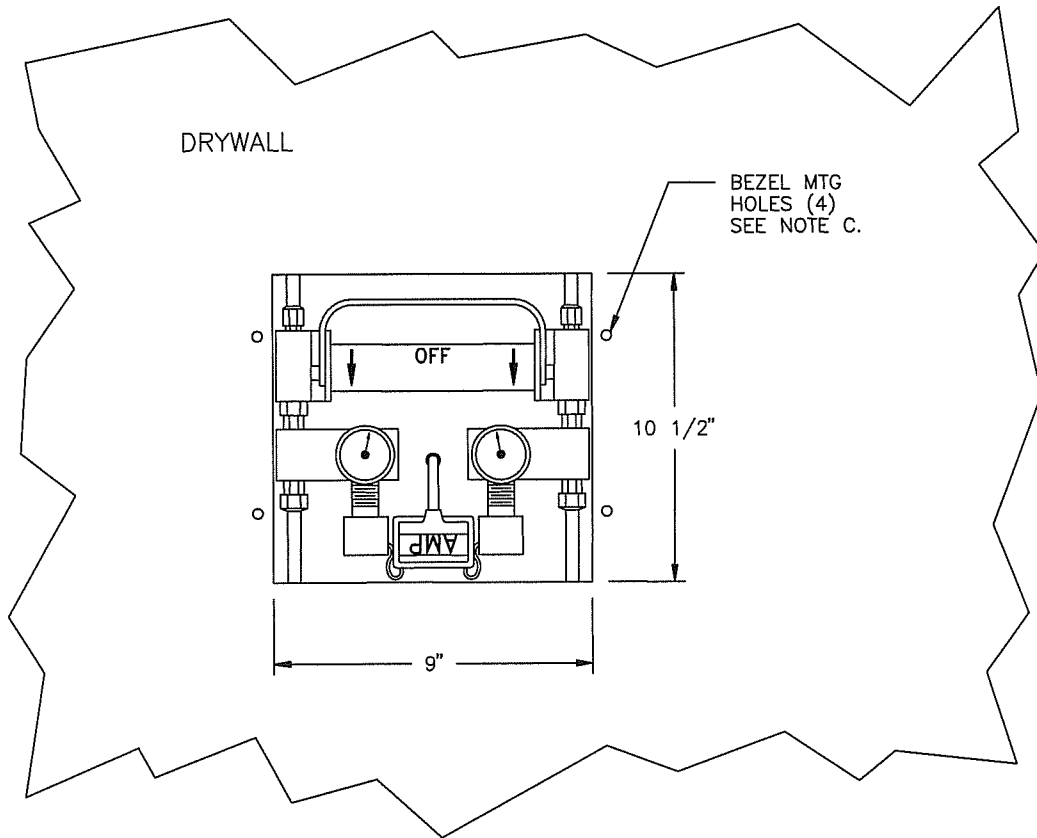


FIG. 2

8. Install bezel using 4 flat-head screws provided. Tighten so that bezel sits firm against drywall.
9. Install lexan window. Push in white knobs until they “snap” in place. This will secure window in place. To remove window, pull knobs.
10. Install metal nameplate.

DATE 9/4/86	ECN	DR BG	CH HN	AP	SHT 3 OF 3
PORTER	Parker Hannifin Corporation Porter Instrument Division 245 Township Line Rd. P.O. Box 907 Hatfield, PA 19440-0907 USA (215) 723-4000 / fax (215) 723-5106	INSTALLATION INSTRUCTIONS ZONE VALVE		NUMBER 0055810E	REV.
				FM-389	E